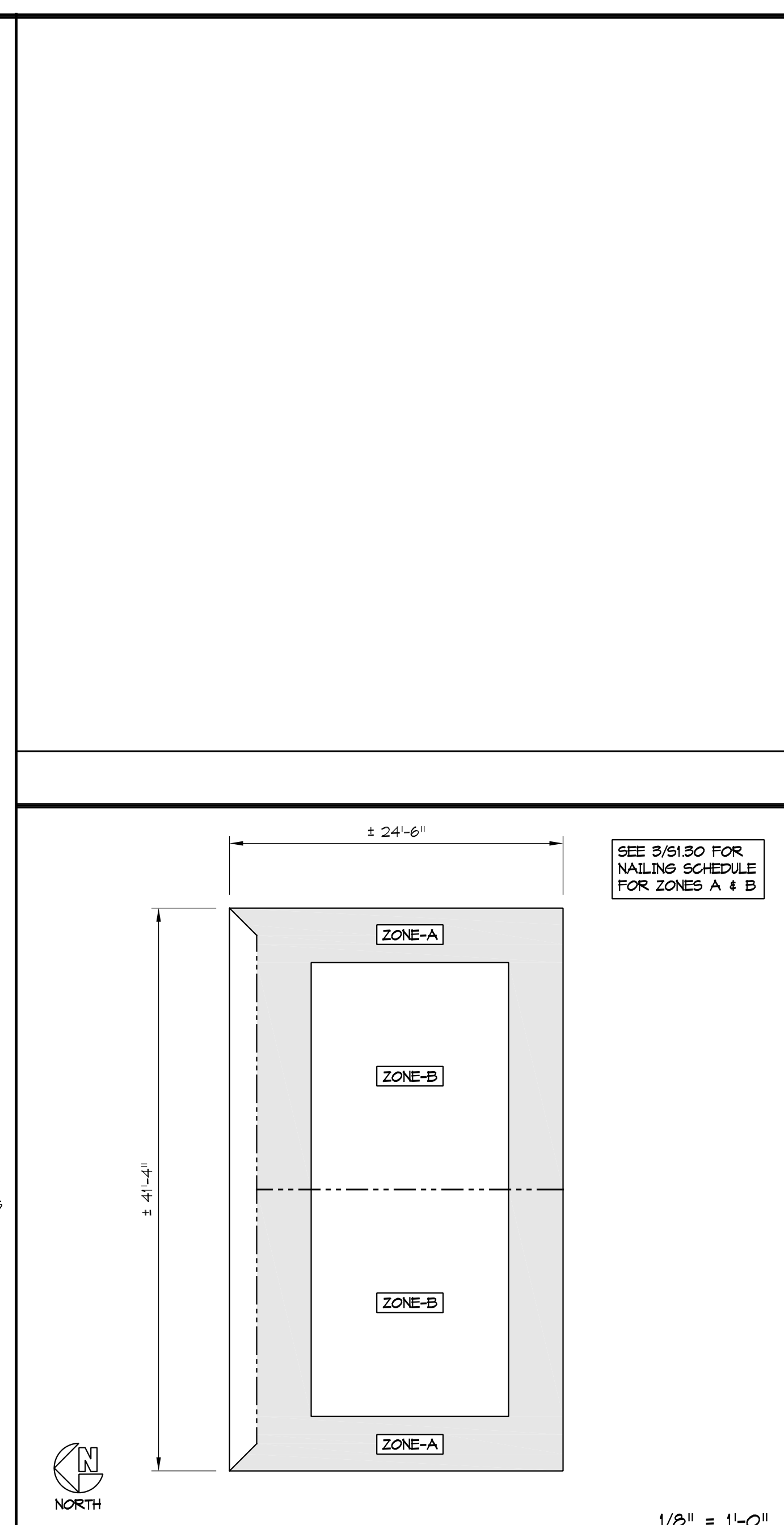
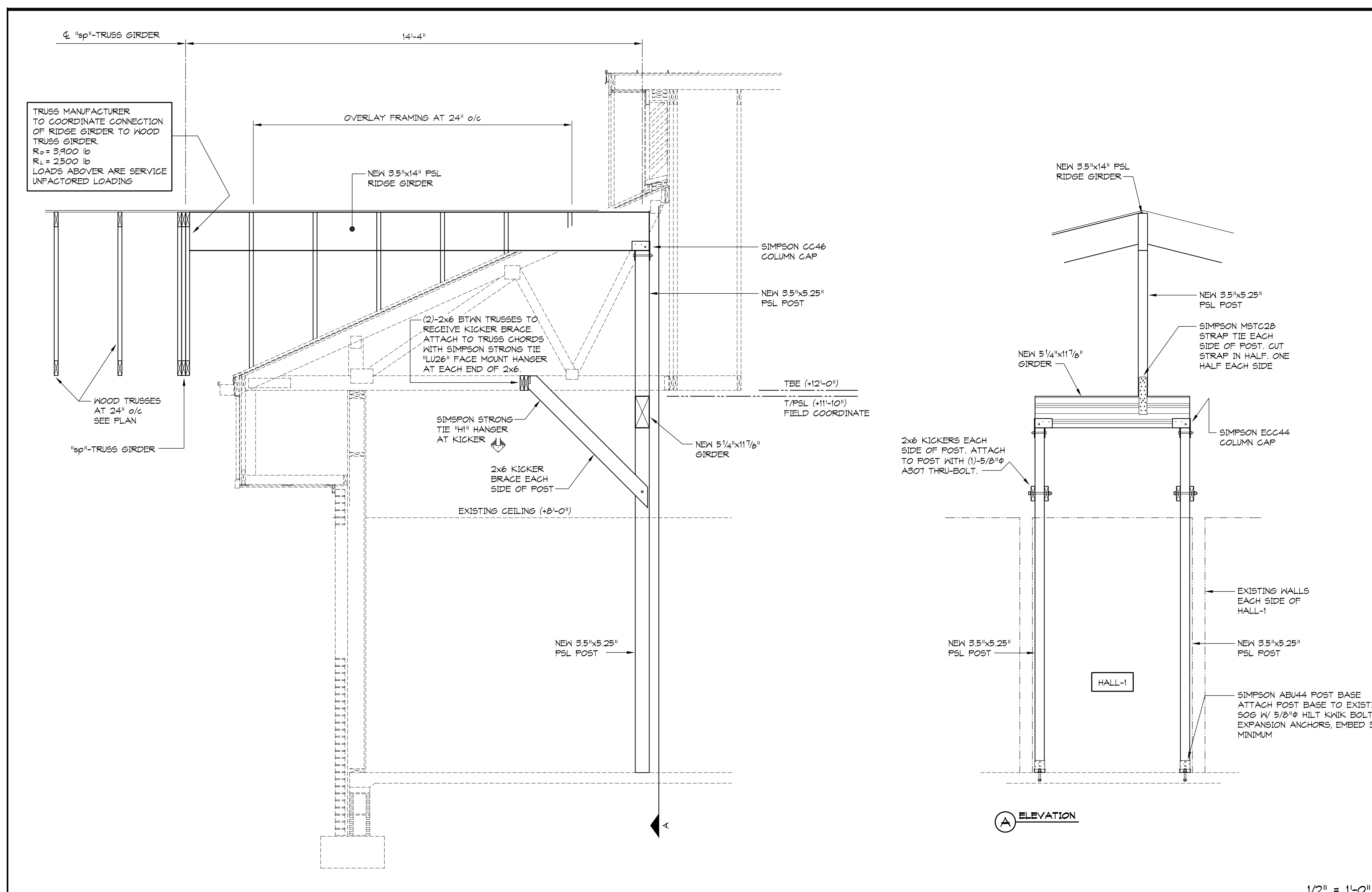
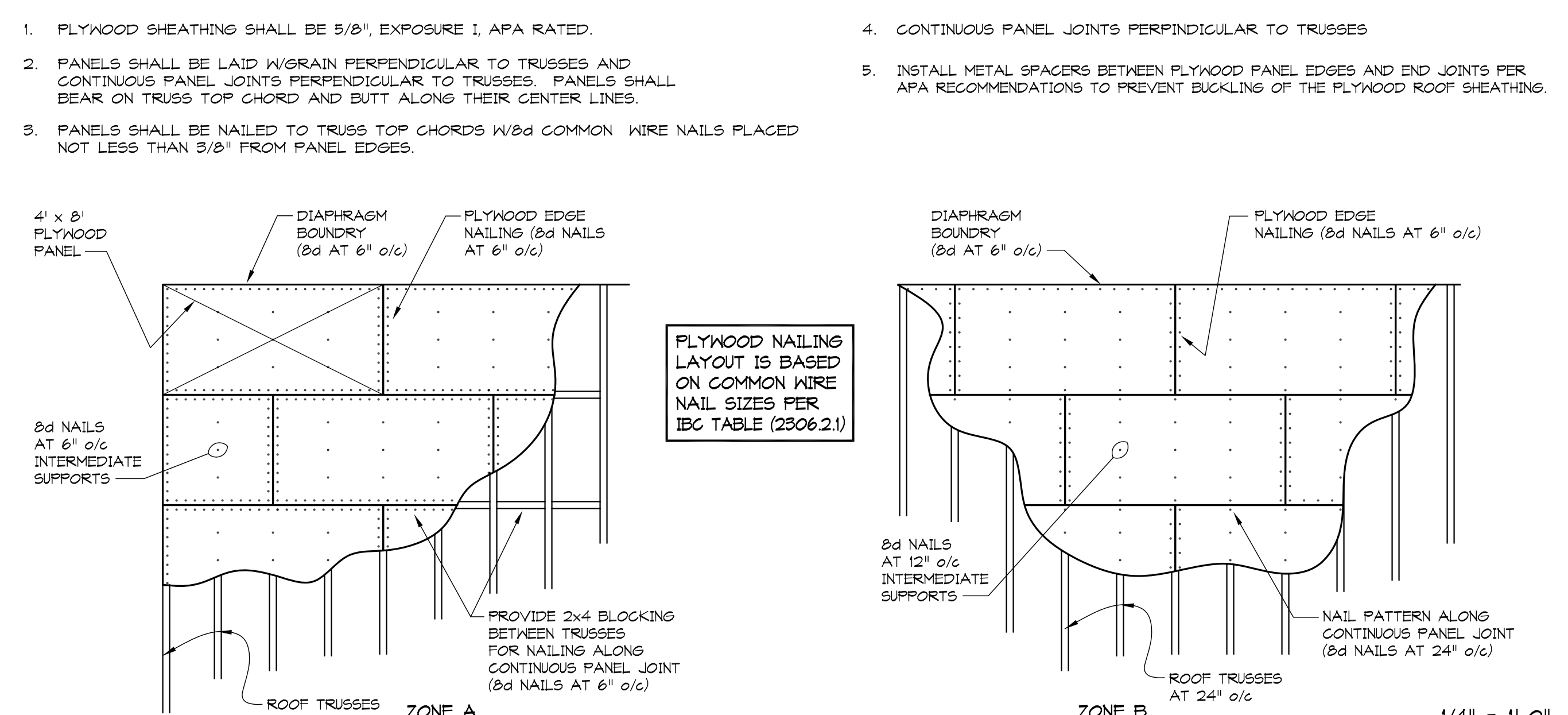
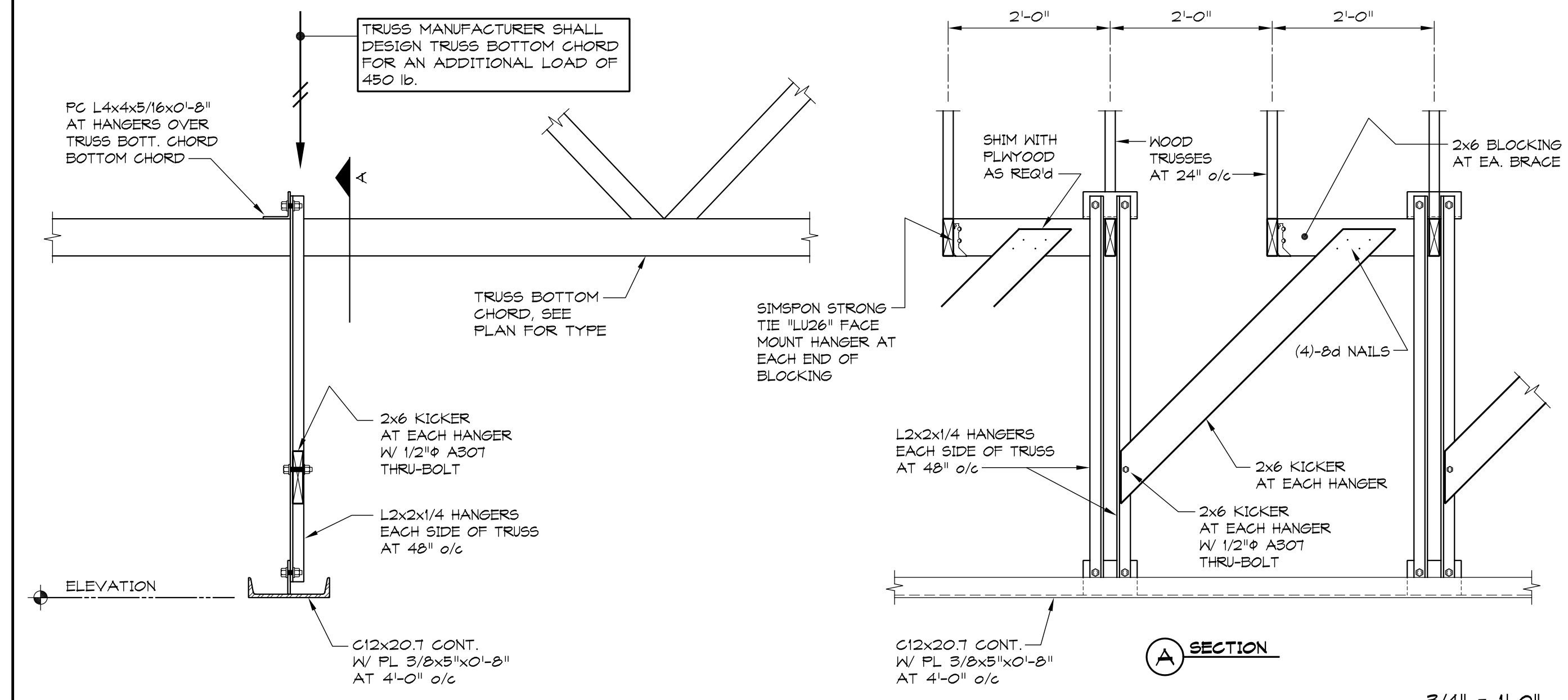


**SECTIONS  
AND  
DETAILS**



**1 CONNECTION DETAIL - NEW ADDITION AND EXISTING BUILDING**

**4 PLYWOOD DIAPHRAGM NAILING LAYOUT**



**2 OPERABLE WALL SUPPORT DETAIL**

**3 PLYWOOD NAILING LAYOUT AND SCHEDULE**

**ROWAN COUNTY  
AIRPORT**

Terminal Expansion

