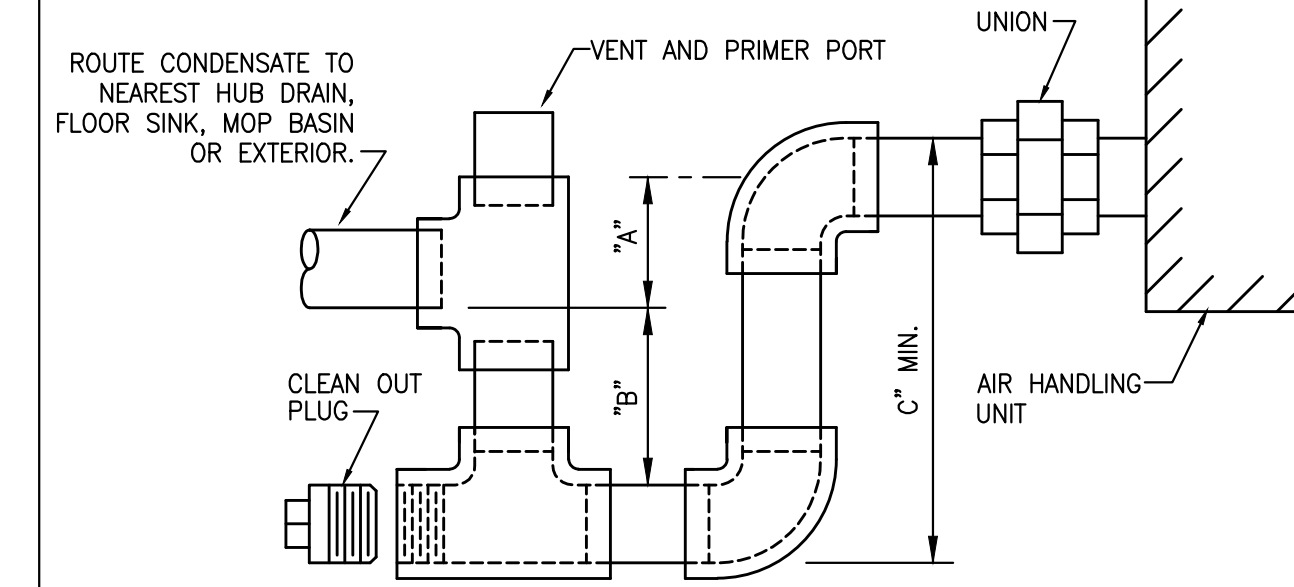


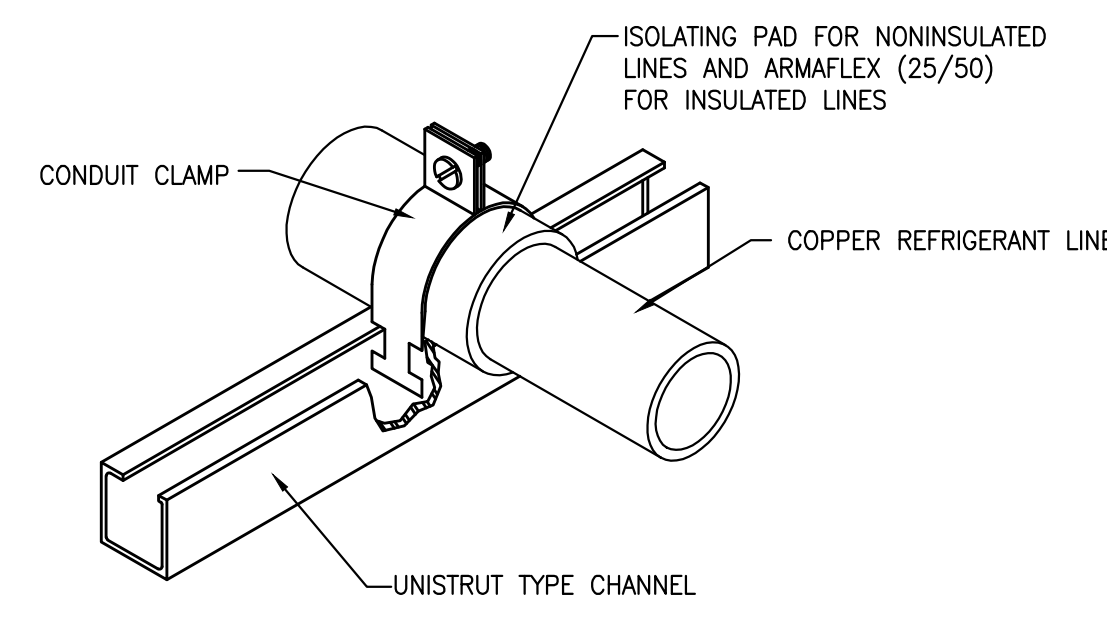
UNIT TYPE	"A"	"B"	"C"
DRAW THRU	2" PLUS "X"	X	2½
BLOW THRU	1" MIN.	2X	2½

WHERE "X" = STATIC PRESSURE IN PAN.

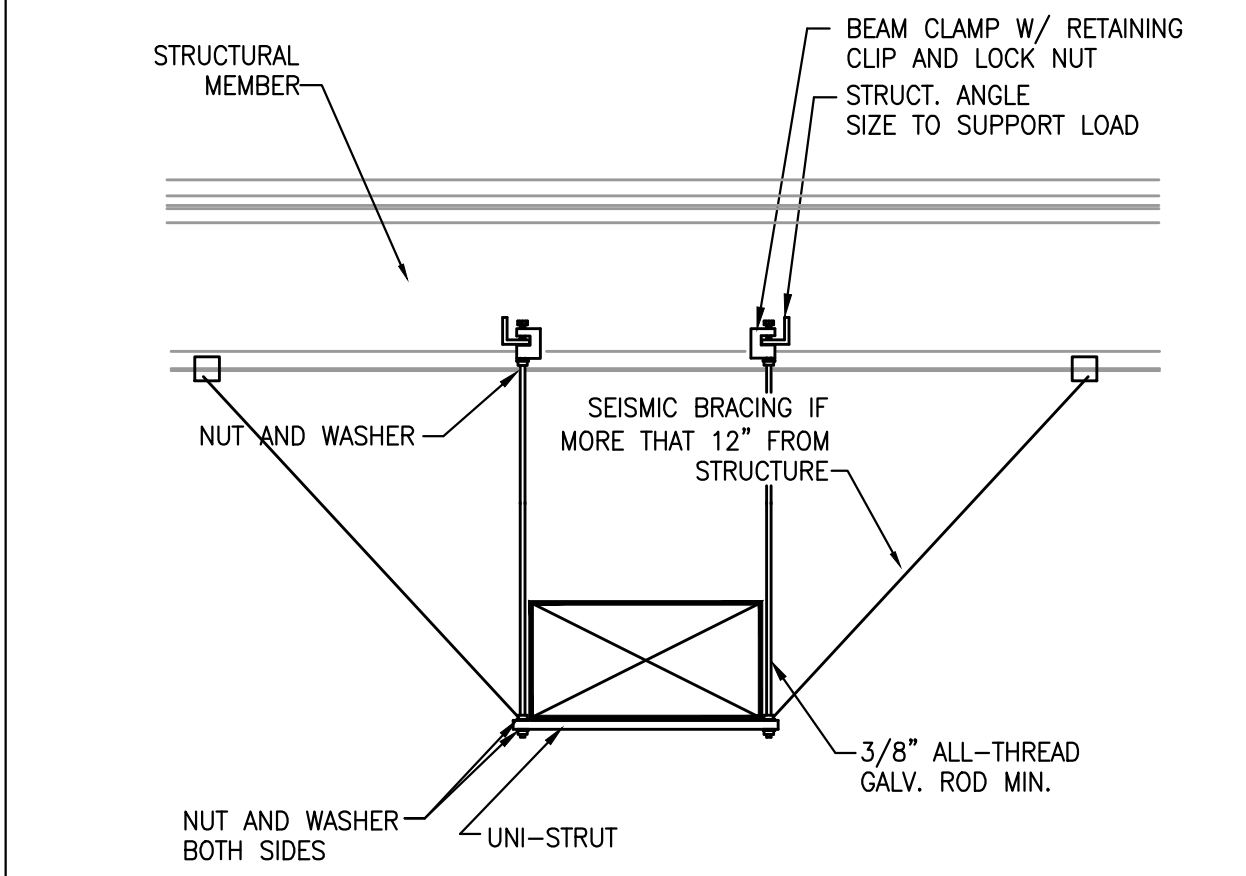


- NOTES:
- CONDENSATE PIPE SHALL BE SCH. 40 PVC.
  - "RUNNING TRAPS" SHALL NOT BE ALLOWED

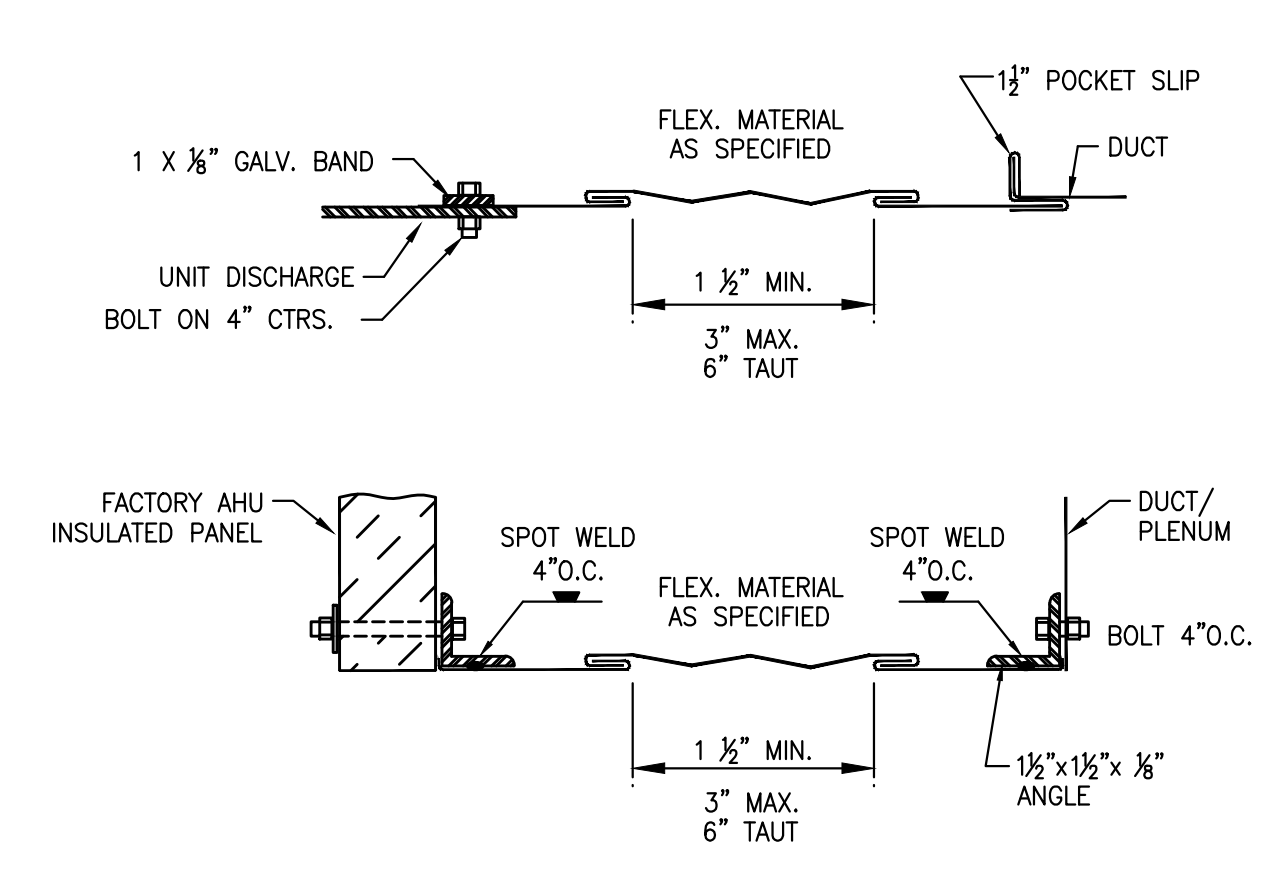
**4 CONDENSATE DRAIN DETAIL**  
Scale: NONE



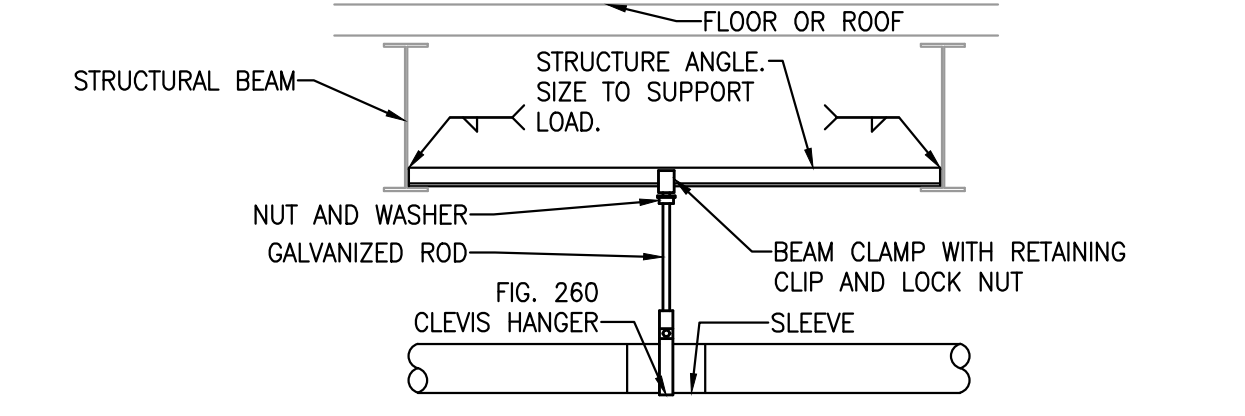
**3 REFRIGERANT PIPE CLAMP**  
Scale: NONE



**2 TYPICAL DUCT HANGER DETAIL**  
Scale: NONE



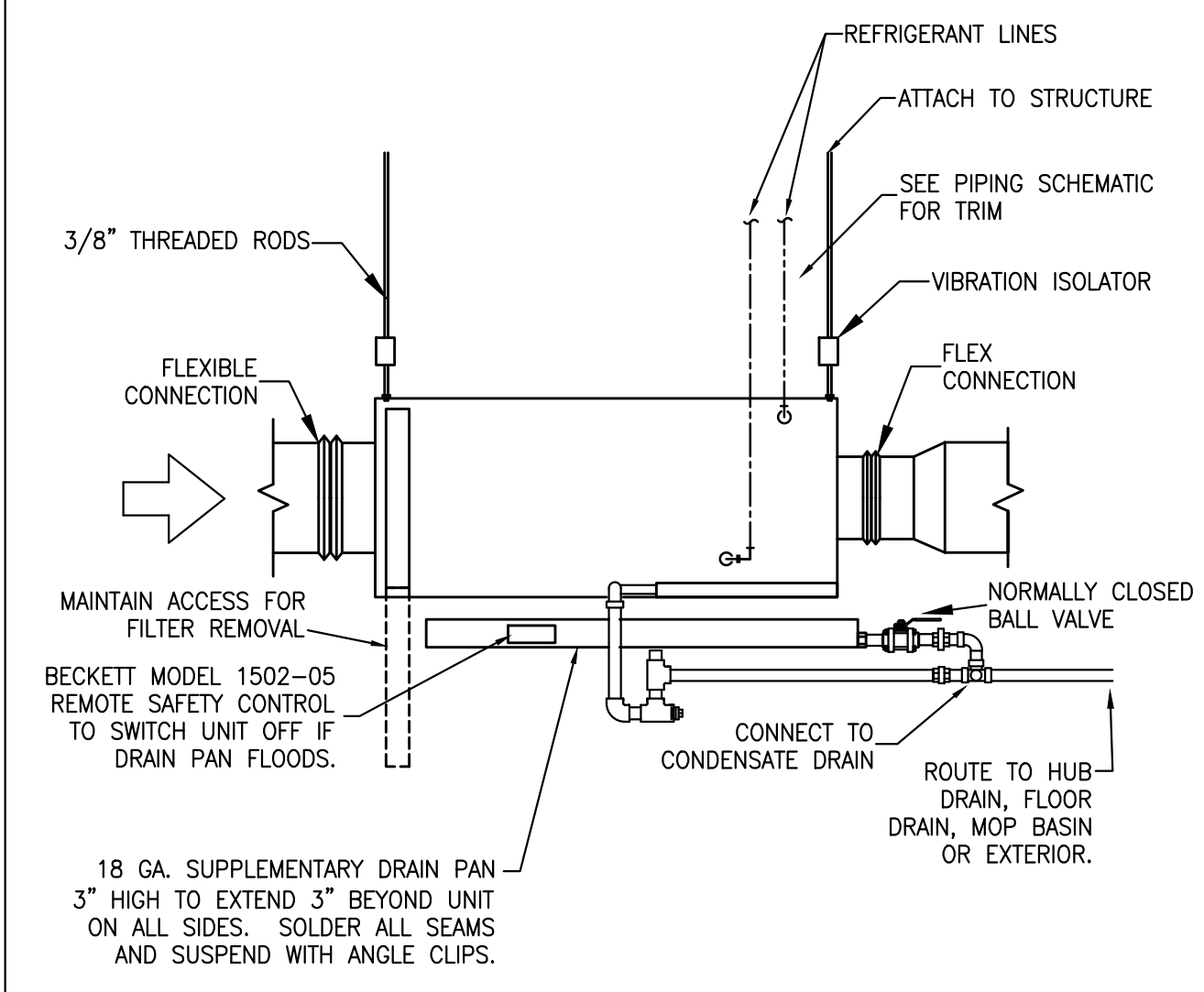
**1 TYPICAL FLEX CONNECTION**  
Scale: NONE



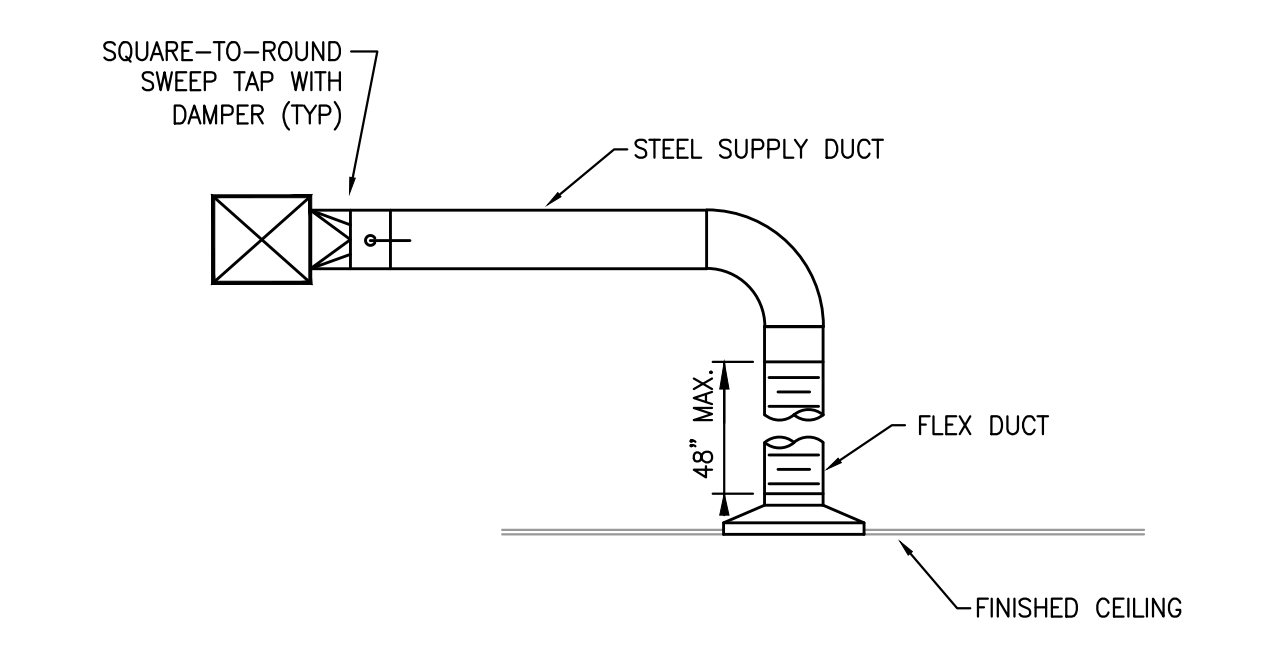
PIPE MATERIAL	PIPE SUPPORT SPACING	
	MAXIMUM HORIZONTAL SPACING (FEET)	MAXIMUM VERTICAL SPACING (FEET)
ABS PIPE	4	10 <sup>a</sup>
ALUMINUM PIPE AND TUBING	10	15
BRASS PIPE	10	10
BRASS TUBING 1/2" DIAMETER AND SMALLER	6	10
BRASS TUBING 1/2" DIAMETER AND LARGER	10	10
CAST-IRON PIPE <sup>b</sup>	5	15
COPPER OR COPPER-ALLOY PIPE	12	10
COPPER OR COPPER-ALLOY TUBING 1/2" DIAMETER OR SMALLER	6	10
COPPER OR COPPER-ALLOY TUBING 1/2" DIAMETER OR LARGER	10	10
CPVC PIPE OR TUBING 1" AND SMALLER	3	10 <sup>a</sup>
CPVC PIPE OR TUBING 1" AND LARGER	4	10 <sup>a</sup>
LEAD PIPE	CONTINUOUS	10 <sup>a</sup>
PB PIPE OR TUBING	2 1/2 (32")	4
PEX TUBING	2 1/2 (32")	4
POLYPROPYLENE (PP) PIPE OR TUBING 1" OR SMALLER	2 1/2 (32")	10 <sup>a</sup>
POLYPROPYLENE (PP) PIPE OR TUBING 1" OR LARGER	4	10 <sup>a</sup>
PVC PIPE	4	10 <sup>a</sup>
STEEL TUBING	8	10
STEEL PIPE	12	15

<sup>a</sup> THE MAXIMUM HORIZONTAL SPACING OF CAST-IRON PIPE HANGERS SHALL BE INCREASED TO 10 FEET WHERE 10-FOOT LENGTHS OF PIPE ARE INSTALLED.  
<sup>b</sup> MID-STORY GUIDE.

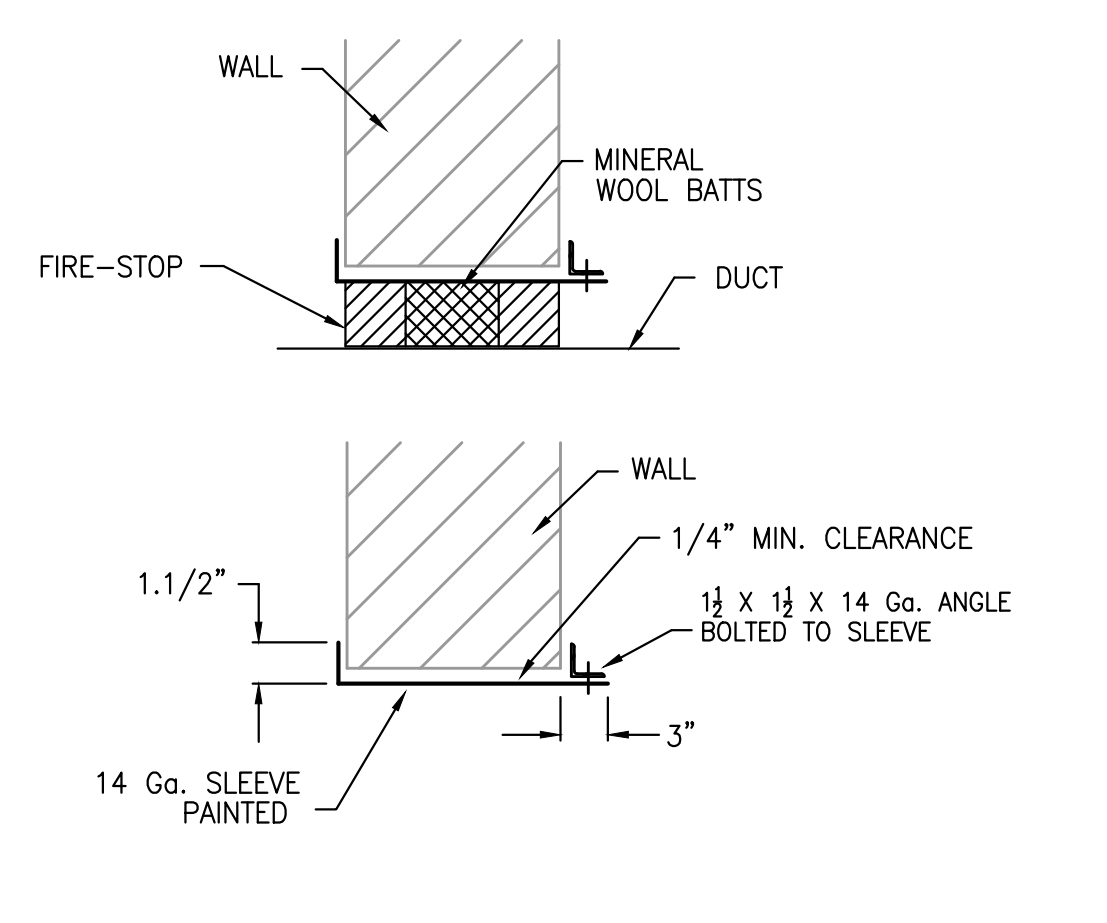
**7 TYPICAL PIPE HANGER DETAIL**  
Scale: NONE



**6 TYPICAL AIR HANDLING UNIT DETAIL**  
Scale: NONE

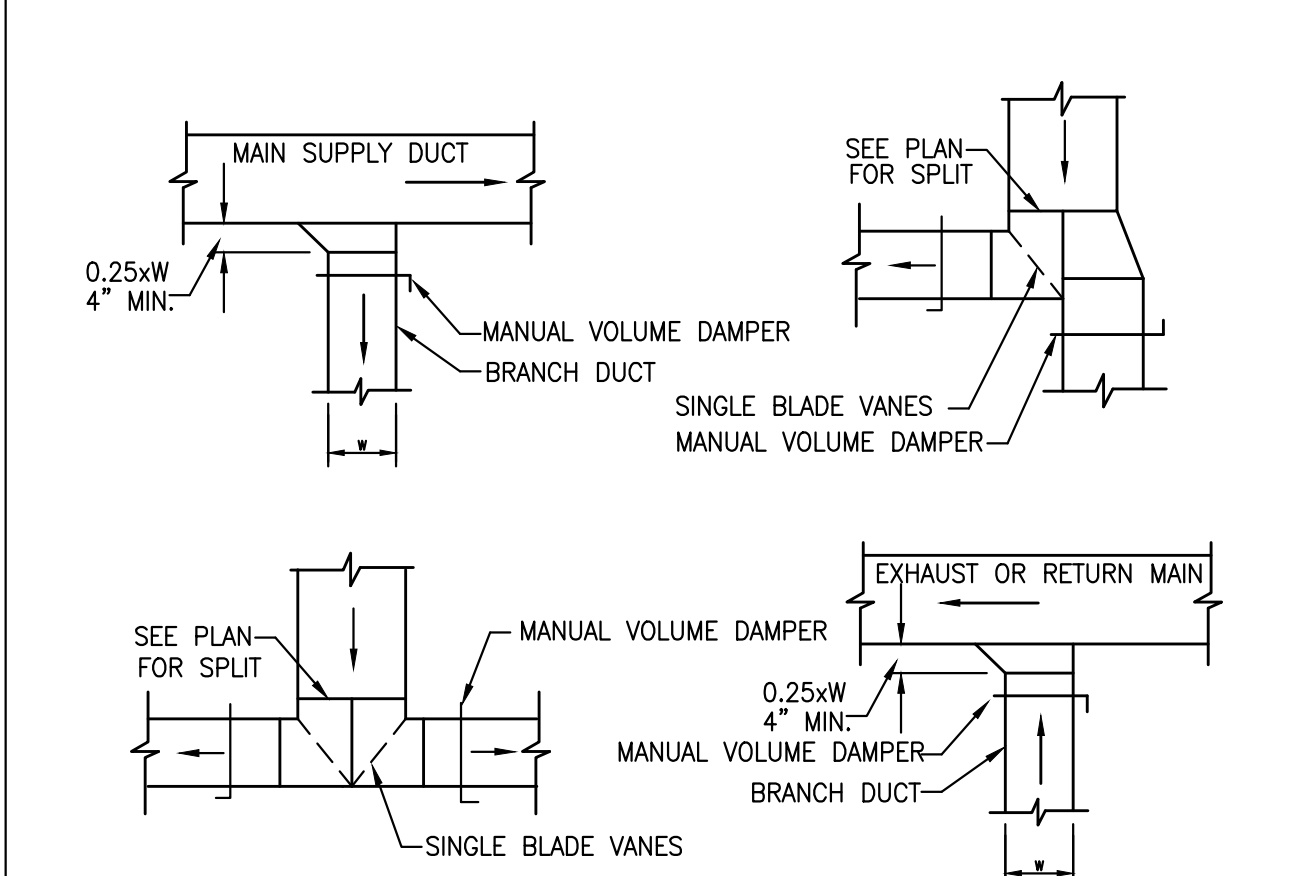


**5 TYPICAL BRANCH DUCT DETAIL**  
Scale: NONE

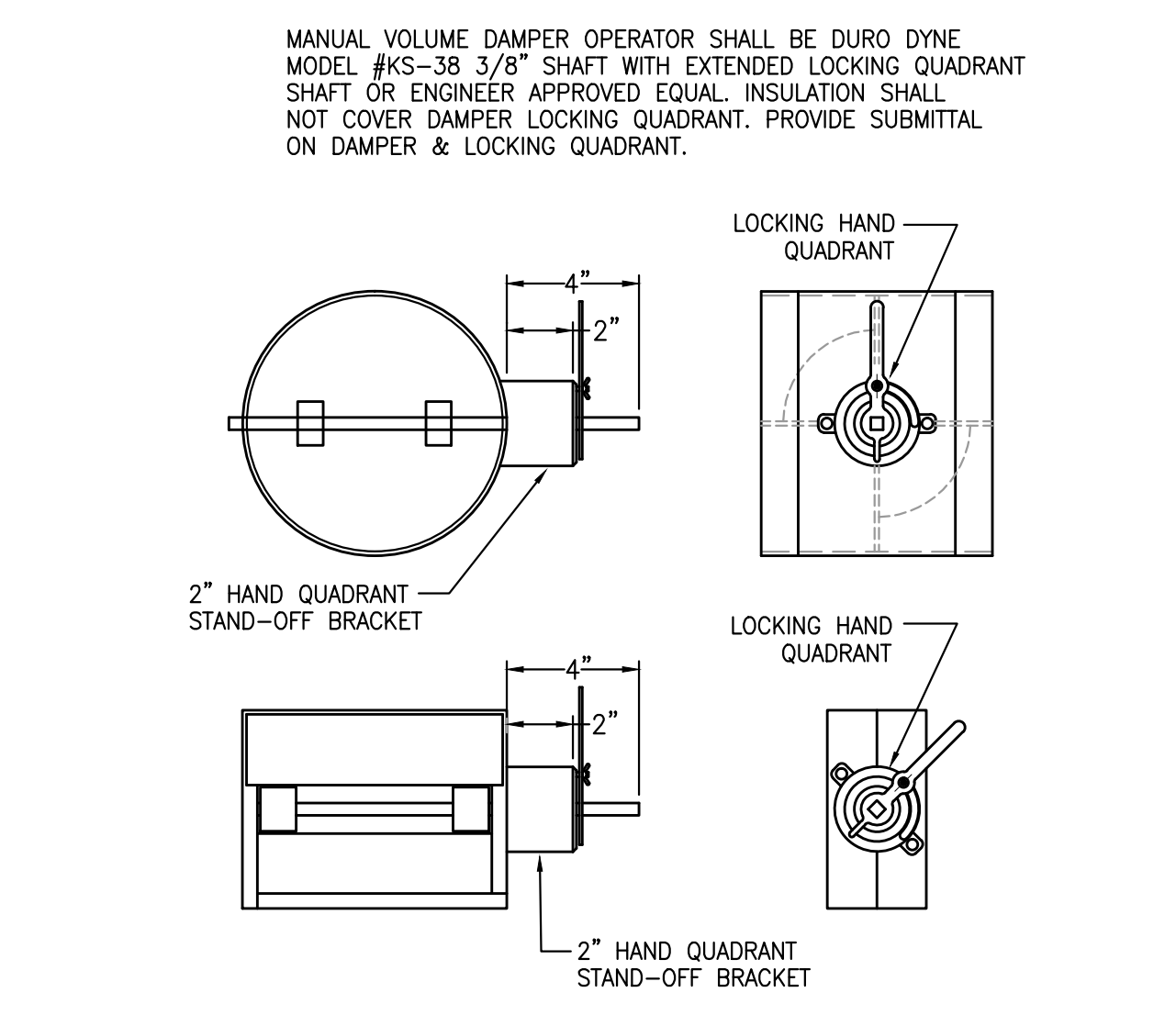


NOTE:  
SLEEVE & FIRE PROOF ALL WALL DUCT PENETRATIONS.  
1-2 Hr UNINSULATED - UL WL-7009  
1-2 Hr INSULATED - UL WL-7009  
3 Hr UNINSULATED - UL CAJ-1079  
3 Hr INSULATED - UL CAJ-5058

**10 TYPICAL SLEEVE DETAIL**  
Scale: NONE



**9 TYPICAL DUCT FITTINGS**  
Scale: NONE



**8 TYPICAL BALANCING DAMPER DETAIL**  
Scale: NONE