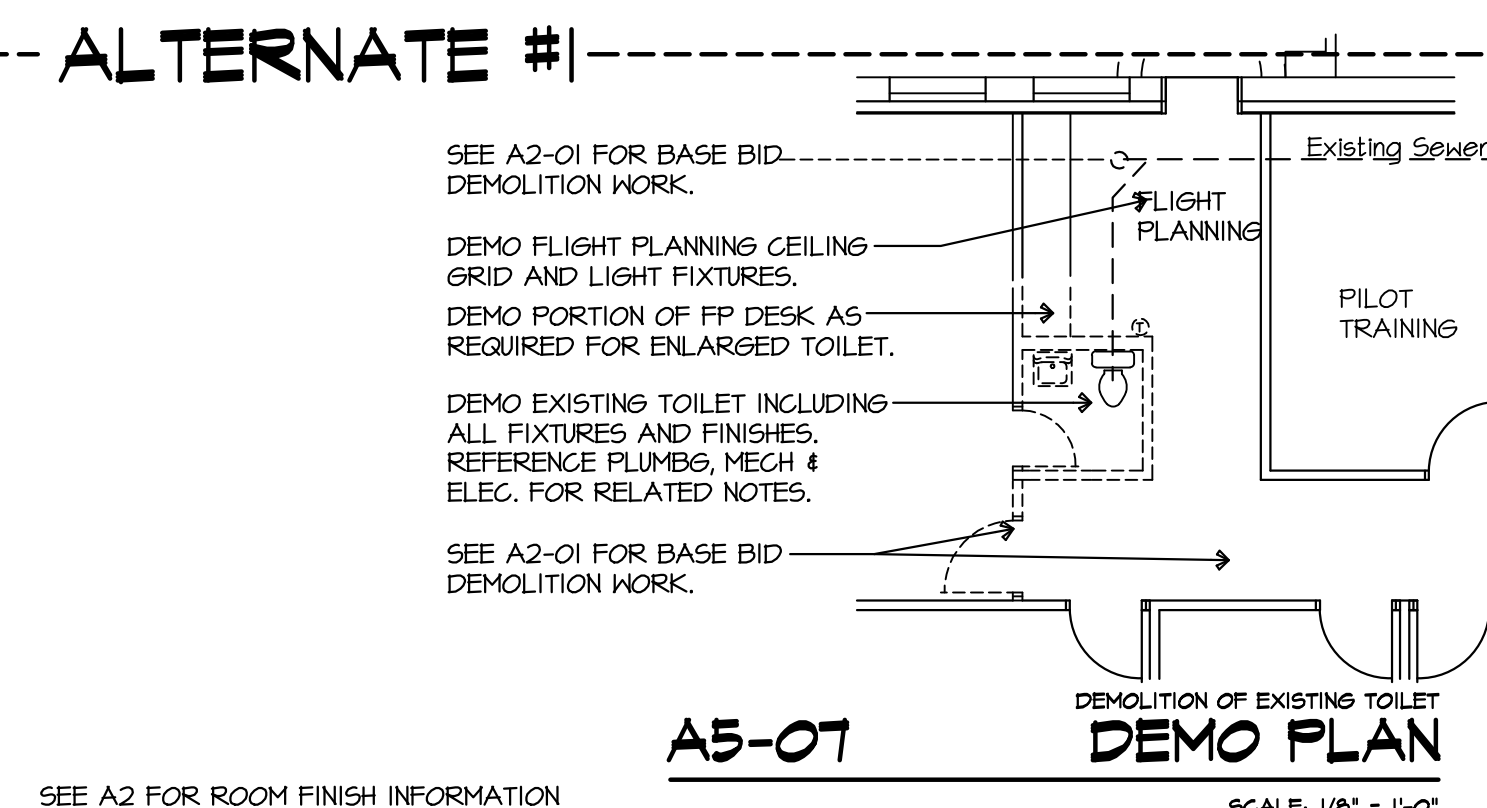
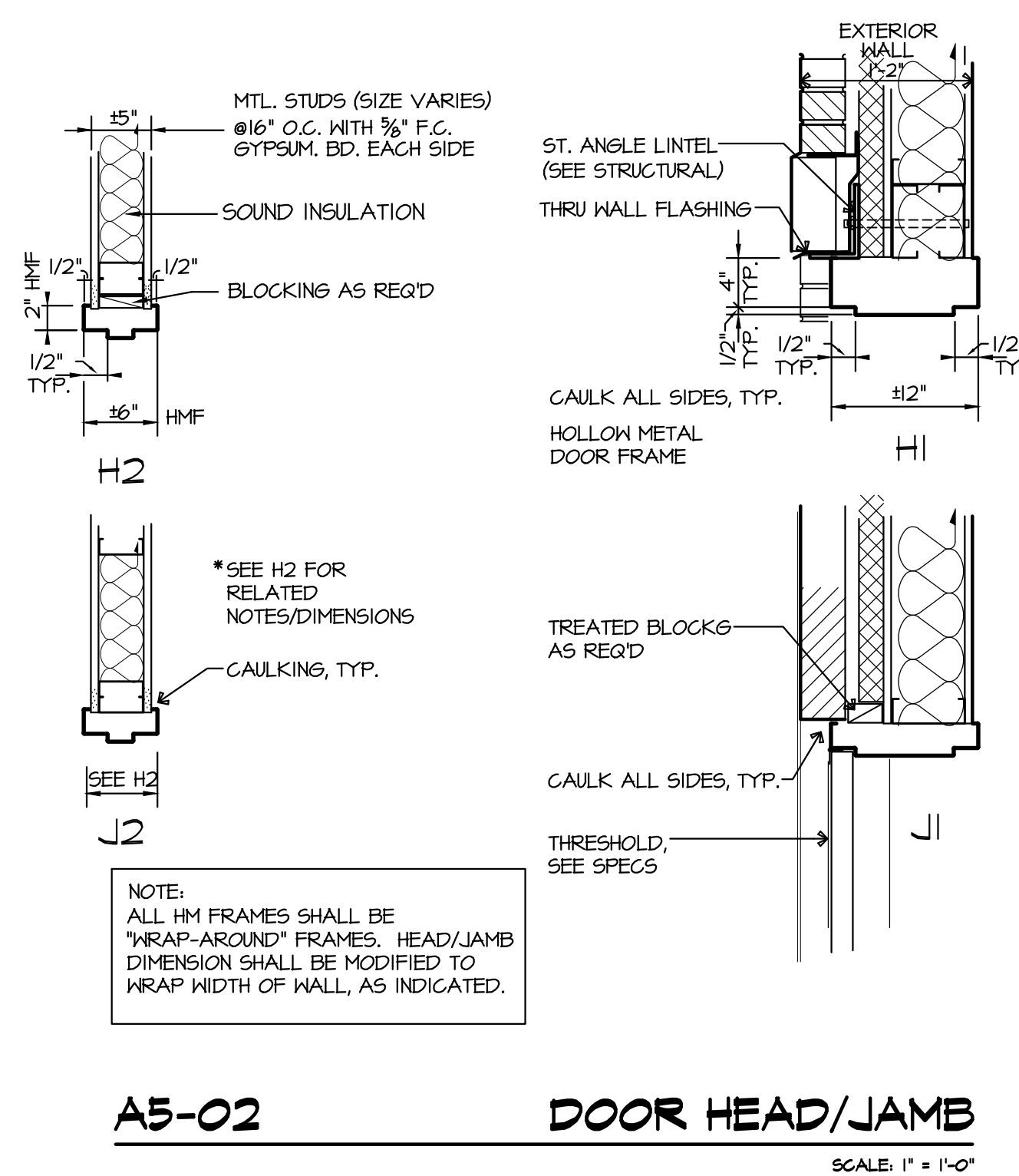
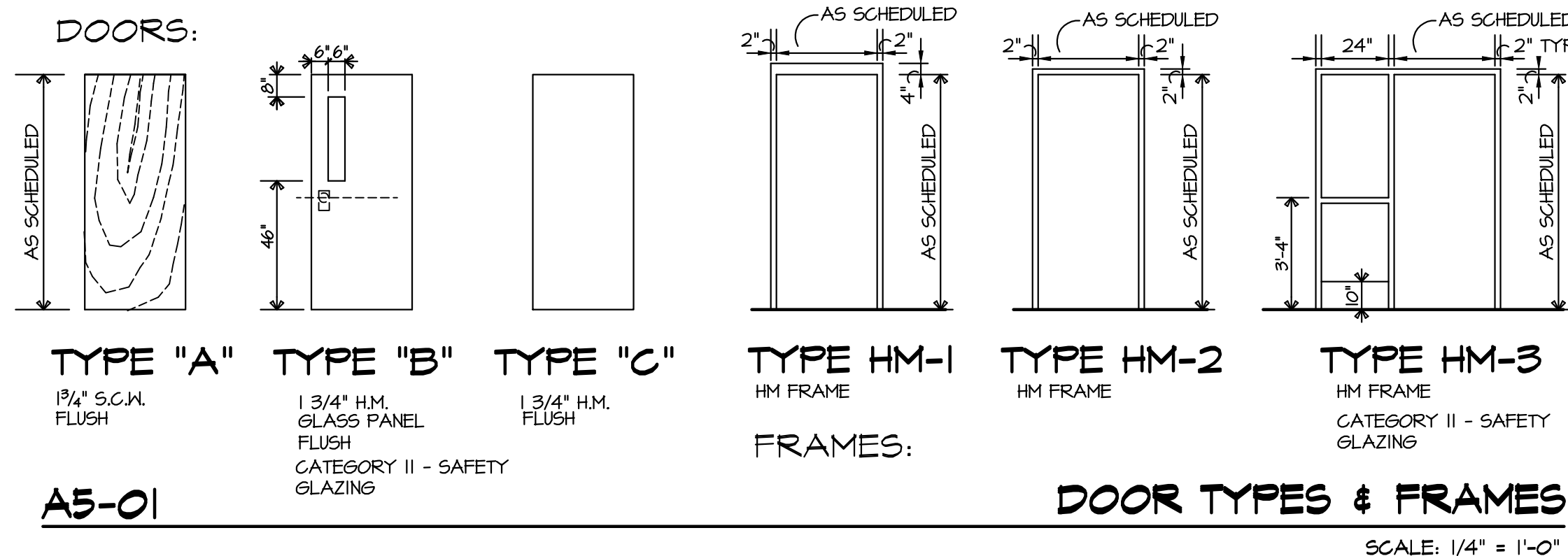
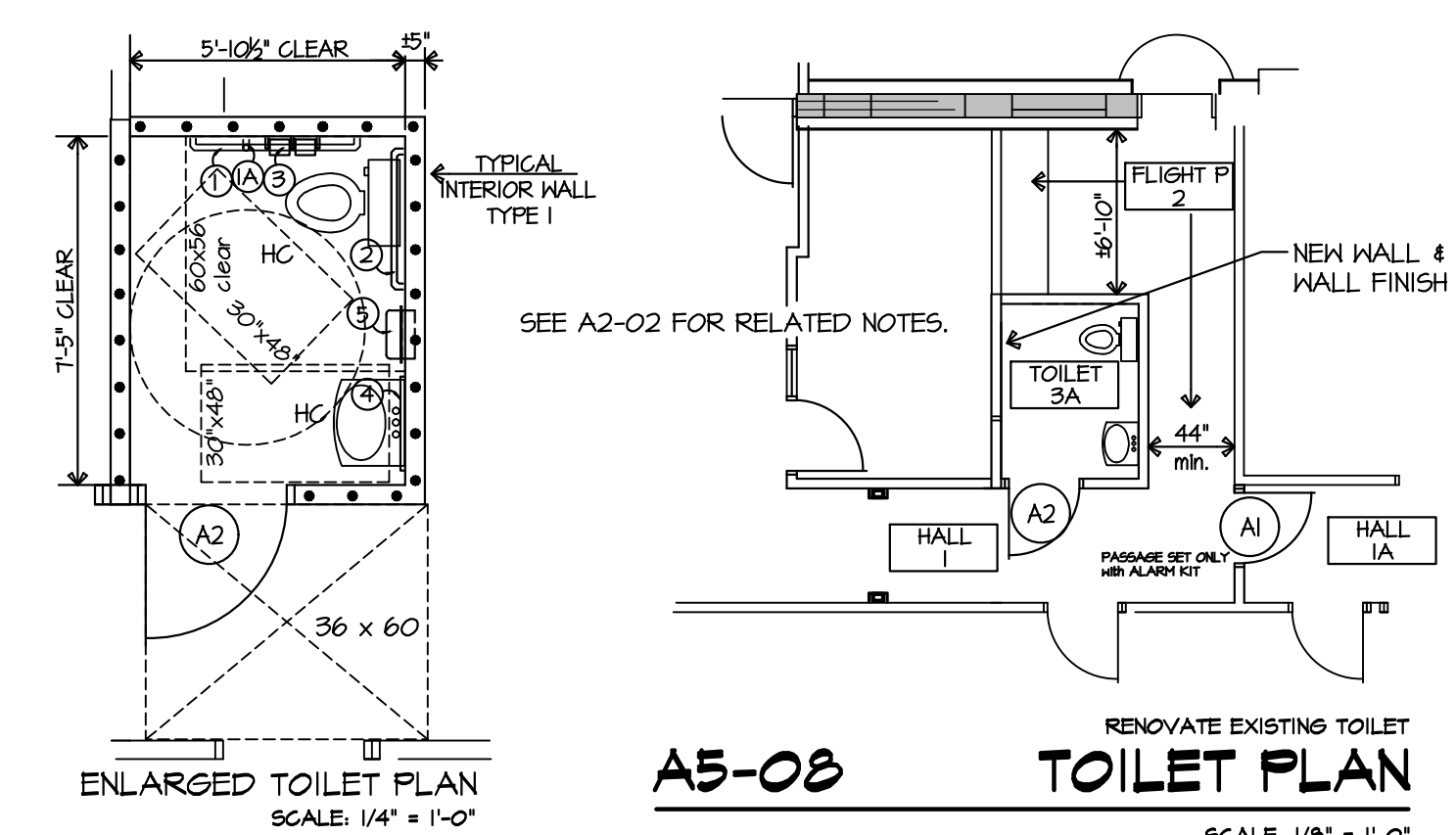


DOOR SCHEDULE									
DOOR NO.	ROOM DESCRIPTION	DOOR SIZE	DOOR TYPE	FRAME TYPE	HEAD DETAIL	JAMB DETAIL	FIRE RATING	REMARKS	DOOR
EXISTING									
1	NOT USED							NOT USED	1
2	FLIGHT PLANNING	3'-0" x 7'-0" x 1 3/4"	A	HM-2	H2	J2	---	NOTE: THIS DOOR ELIMINATED IN ALTERNATE #1	2
3	TOILET	2'-6" x 7'-0" x 1 3/4"	A	HM-2	H2	J2	---		3
4	OFFICE	3'-0" x 7'-0" x 1 3/4"	A	HM-3	H2	J2	---		4
5	NOT USED							NOT USED	5
6	HALL TO RAMP	3'-0" x 7'-0" x 1 3/4"	C	SIM HM-1	A3-07	A3-06	3 Hour	SEE ELEC. FOR HOLD OPEN DEVICE	6
7	NOT USED							NOT USED	7
8	PILOT'S LOUNGE	3'-0" x 7'-0" x 1 3/4"	A	HM-2	H2	J2	---		8
NEW CONSTRUCTION									
100	HALL TO EXIT	3'-0" x 7'-0" x 1 3/4"	B	HM-1	H1	J1		KEY PAD ENTRY SYSTEM	100
101	CONFERENCE ROOM	3'-0" x 7'-0" x 1 3/4"	A	HM-2	H2	J2			101
101A	CONFERENCE ROOM	3'-0" x 7'-0" x 1 3/4"	A	HM-2	H2	J2			101A
102	CLOSET	3'-0" x 7'-0" x 1 3/4"	A	HM-2	H2	J2			102
ALTERNATE #1									
A1	HALL TO TERMINAL	3'-0" x 7'-0" x 1 3/4"	A	HM-2	H2	J2	---	DOOR EQUIPPED WITH PASSAGE SET AND ALARM KIT	A1
A2	TOILET	3'-0" x 7'-0" x 1 3/4"	A	HM-2	H2	J2	---		A2



SEE A2 FOR ROOM FINISH INFORMATION

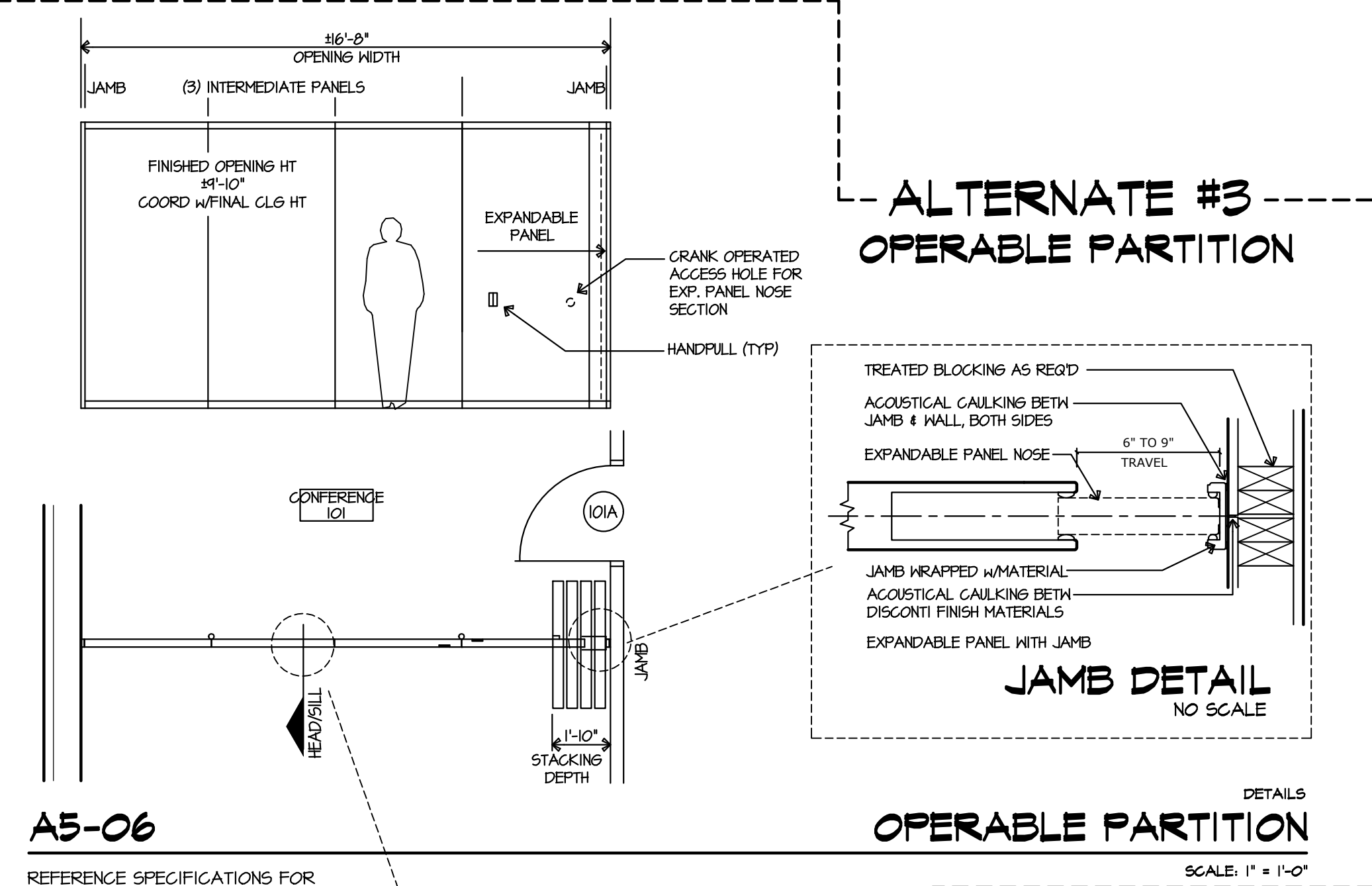
ALTERNATE: ROOM FINISH SCHEDULE							
NO.	ROOM NAME	FLOOR	WALL	CLS.	CLGHT.	SPECIAL REMARKS	NO.
EXISTING:							
1	HALLWAY		BASE BID				
1A	HALLWAY		BASE BID	*HI	CI	*PAINT NEW WALL w/ DOOR	1A
2	FLIGHT PLANNING		BASE BID	*HI	CI	*PAINT ALL WALLS - EXISTING & NEW	2
3A	TOILET		F2	H2	CI		3A



TOILET FIXTURE & ACCESSORIES SCHEDULE			
ID TAG	ITEM	DIMENSIONAL NOTES (STARTING FROM FLOOR TYP. UNQ)	PROVIDED BY
1	1 1/2" Ø HORIZONTAL GRAB BAR - 42" LENGTH	2'-4" TO G. GRAB BAR	G.C.
1A	1 1/2" Ø VERTICAL GRAB BAR - 18" LENGTH	3'-4" TO BOTTOM G. GRAB BAR	G.C.
2	1 1/2" Ø HORIZONTAL GRAB BAR - 36" LENGTH	2'-4" TO G. GRAB BAR	G.C.
3	DOUBLE TOILET TISSUE DISPENSER w/ CONTROLLED DELIVERY	2'-2" TO G. DISPENSER	G.C.
4	24x36 MIRROR	3'-4" TO BOTTOM	G.C.
5	PAPER TOWEL DISPENSER	3'-6" TO G. DISPENSER	G.C.
6	SOAP DISPENSER		OWNER

NOTES:

1. MOUNTING HEIGHTS FOR ALL TOILET FIXTURES AND/OR ACCESSORIES AS REQ'D BY N.C. STATE BUILDING CODE FOR THE PHYSICALLY HANDICAPPED.
2. PROVIDE SOLID BLOCKING IN ALL GYP. BD. WALLS SCHEDULED TO HAVE ACCESSORIES, BOARDS, GRAB BARS, HANDRAILS, ETC. MOUNTED TO THEM.
3. SEE PLUMBING FIXTURE SCHEDULE ON PLUMBING DRAWINGS FOR REQUIRED FIXTURES & ACCESSORIES.

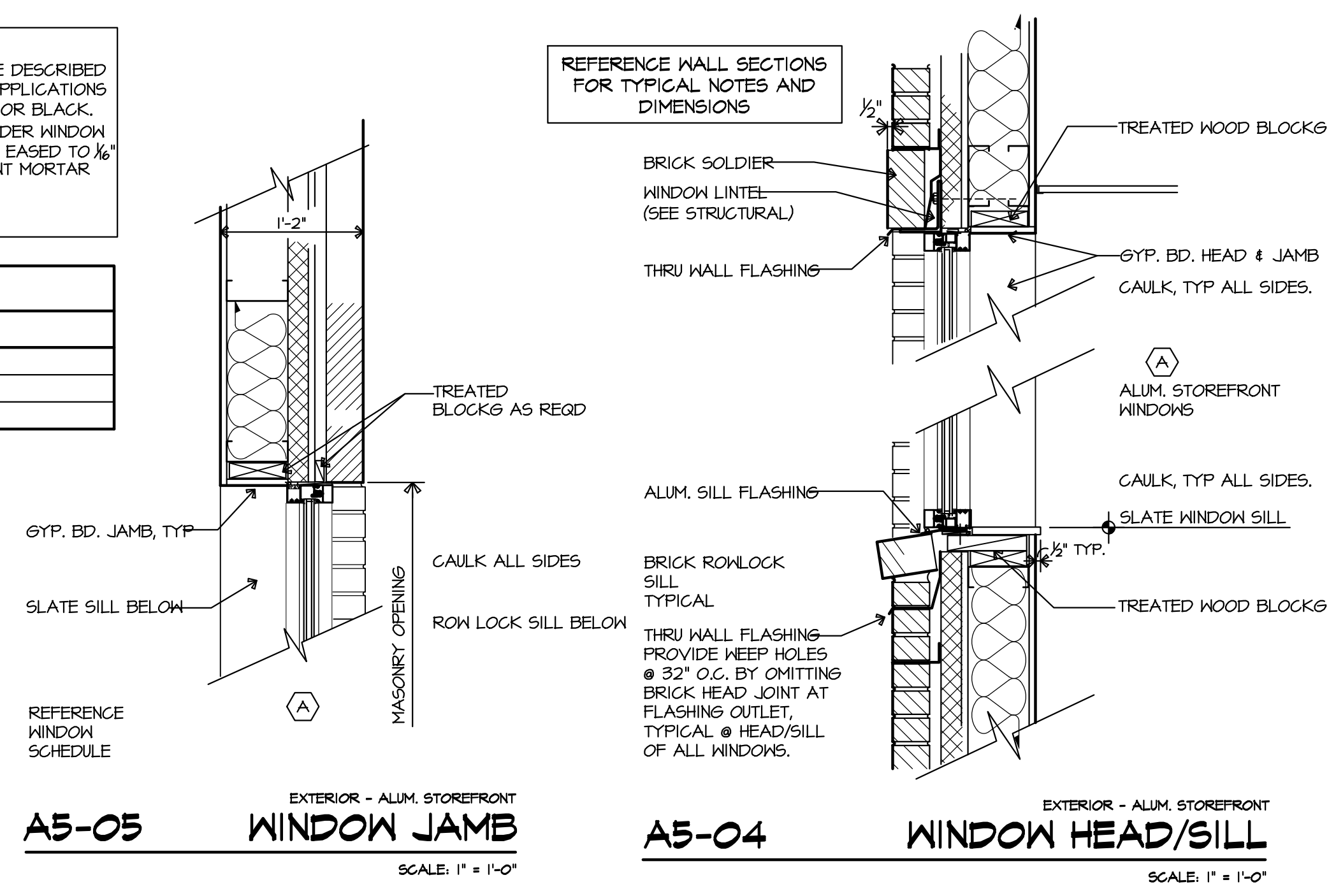
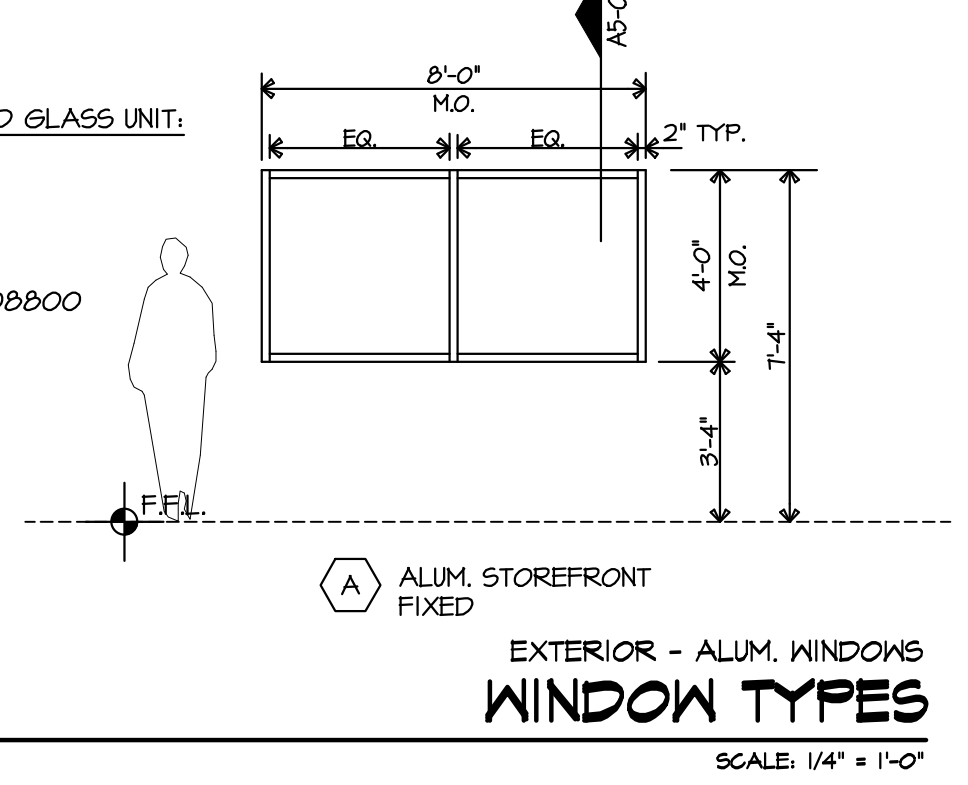


SLATE WINDOW SILL SPECIFICATION
 PROVIDE NATURAL SLATE SILLS AT ALL WINDOWS, VENTS OR ANYWHERE DESCRIBED ON DRAWINGS. SILLS SHALL BE 1" THICK "HONED" FINISH SLATE. ALL APPLICATIONS SHALL USE SINGLE PIECES (TO A MAX OF 6ft). SLATE SHALL BE GRAY OR BLACK. INSTALL SILLS CAREFULLY SCRIBED TO FIT WITHIN 1/4" OF WALLS AND UNDER WINDOW RAIL AS INDICATED. ALL EXPOSED ENDS, EDGES AND CORNERS TO BE EASED TO 1/8" RADIUS. SILLS SHALL BE SET IN FULL BED OF LATEX-PORTLAND CEMENT MORTAR AND JOINTS CLEANLY FINISHED FLUSH TO FACE OF STONE. CLEAN AND SEAL AFTER INSTALL.

WINDOW SCHEDULE					
MARK	DESCRIPTION	HEAD	JAMB	SILL	REMARKS
A	ALUM. STOREFRONT - FIXED	A5-04	A5-05	A5-04	PROVIDE BRICK SILL

WINDOW NOTES:

TYPICAL UNLESS NOTED OTHERWISE.
 EXTERIOR GLAZING SHALL BE 1" INSULATED GLASS UNIT:
 1/4" TINTED/MIRROR FOAT GLASS
 1/2" AIR SPACE
 1/4" LOW "E"
 w/ THERMALLY-BROKEN FRAME DESIGN
 *TINTED GLAZING - SEE SPEC SECTION 08000
 SEE SECTIONS AND SPECIFICATIONS
 ALL GLAZING SHALL BE CATEGORY II - SAFETY GLAZING



**DOORS,
WINDOWS
& ALTERNATES**

SCHEDULES & MISC DETAILS

**ROWAN COUNTY
AIRPORT**

TERMINAL EXPANSION

