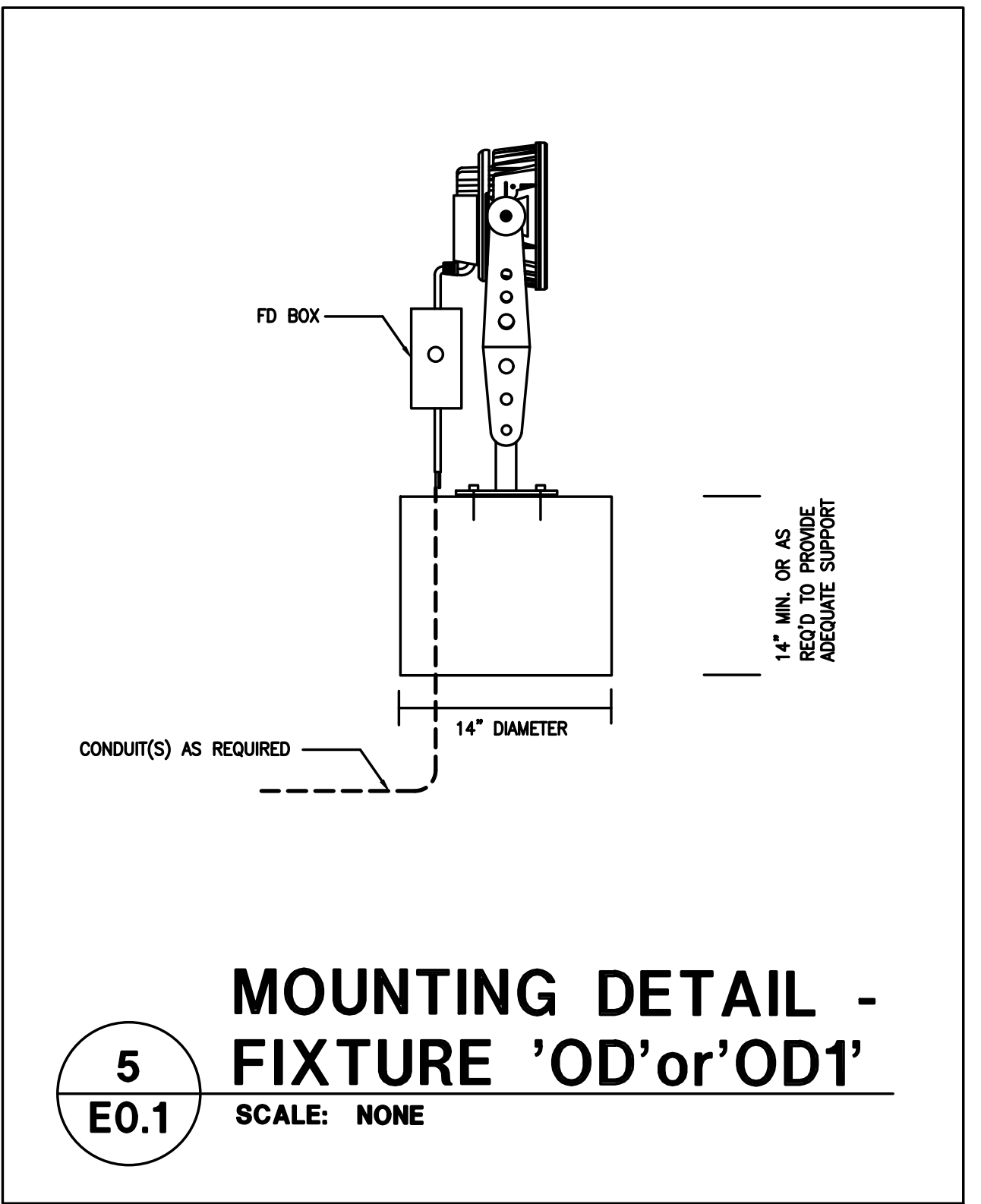
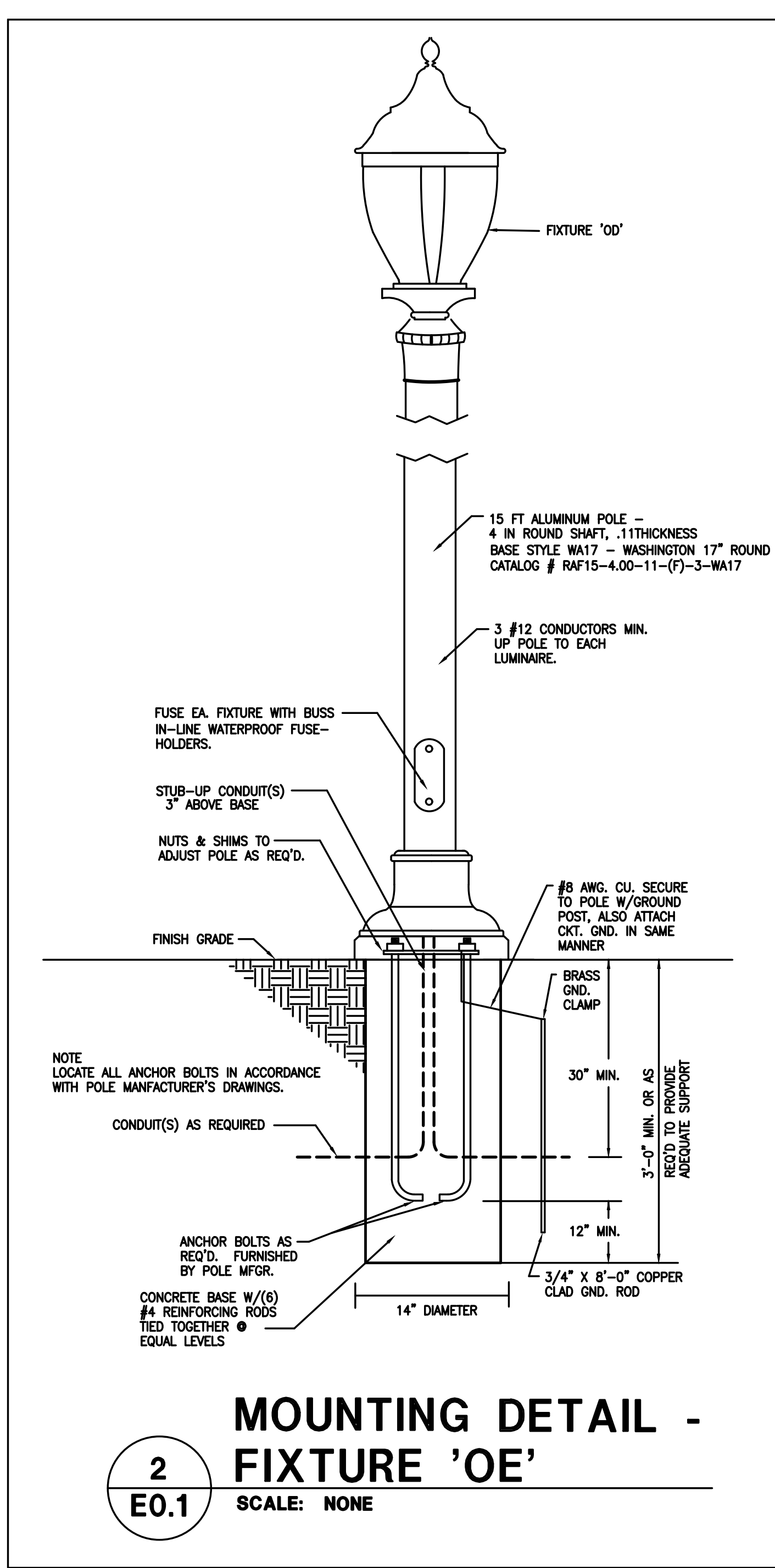


ELECTRICAL LEGEND & EQUIPMENT SCHEDULE			
SYM	MNFR	CATALOG #	DESCRIPTION
$\overset{z}{\circ}x$	SEE FIXTURE SCHEDULE		LIGHT FIXTURE
$\overset{z}{\circ}x$	SEE FIXTURE SCHEDULE		LIGHT FIXTURE
$\overset{z}{\square}x$	SEE FIXTURE SCHEDULE		LIGHT FIXTURE
$\overset{z}{\text{---}}x$	SEE FIXTURE SCHEDULE		LIGHT FIXTURE
$\overset{z}{\circ}x$	SEE FIXTURE SCHEDULE		LIGHT FIXTURE - FLAG POLE LIGHT

1 ELECTRICAL LEGEND
SCALE: NONE



5 MOUNTING DETAIL - FIXTURE 'OD' or 'OD1'
SCALE: NONE



2 MOUNTING DETAIL - FIXTURE 'OE'
SCALE: NONE

6 ELECTRICAL SPECIFICATIONS
SCALE: NONE

CODES

- WORK AND MATERIALS SHALL CONFORM TO THE LATEST RULES OF THE NATIONAL BOARD OF FIRE UNDERWRITERS' CODE, REGULATIONS OF THE STATE FIRE MARSHAL, AND WITH APPLICABLE LOCAL CODES AND WITH ALL PREVAILING RULES AND REGULATIONS PERTAINING TO ADEQUATE PROTECTION AND/OR GUARDING OF ALL MOVING PARTS, OR OTHERWISE HAZARDOUS CONDITIONS. NOTHING IN THESE SPECIFICATIONS SHALL BE CONSTRUED TO PERMIT WORK NOT CONFORMING TO THE MOST STRINGENT OF APPLICABLE CODES.
- THE NATIONAL ELECTRIC CODE, THE LOCAL ELECTRIC CODE, AND THE ELECTRICAL REQUIREMENTS AS ESTABLISHED BY THE STATE AND LOCAL FIRE MARSHAL, AND RULES AND REGULATIONS OF THE POWER COMPANY SERVING THE PROJECT, ARE HEREBY MADE PART OF THE DRAWINGS OR SPECIFICATIONS TO MAKE THE WORK COMPLY WITH THESE REQUIREMENTS. THE ELECTRICAL CONTRACTOR SHALL SO NOTIFY THE ARCHITECT.
- CONDUCTOR MATERIAL
 - THE CONDUCTOR MATERIAL SHALL BE AS FOLLOWS, UNLESS OTHERWISE NOTED:
 - FEEDERS SHALL BE TYPE THHN OR THWN RATED AT 75 DEGREES CENTRIGRADE.
 - CONDUCTORS INDICATED ON THE DRAWINGS ARE BASED ON COPPER.
 - ALL CONDUCTORS WITH THE SIZE OF NO. 8 OR LARGER SHALL BE STRANDED.
- ALL WORK SHALL BE PERFORMED BY A LICENSED ELECTRICAL CONTRACTOR.

ELECTRICAL SYSTEM AND EQUIPMENT
METHOD OF COMPLIANCE

Energy Code: PRESCRIPTIVE PERFORMANCE
ASHRAE 90.1: PRESCRIPTIVE PERFORMANCE

LIGHTING SCHEDULE

lamp type required in fixture See Lighting Schedule On Dwg. E0.1
number of lamps in fixture _____
ballast type used in the fixture _____
number of ballast in fixture _____
total wattage per fixture _____
total interior wattage specified vs allowed (whole building or space by space) _____
total exterior wattage specified vs allowed 835 W VS XX W

ADDITIONAL PRESCRIPTIVE COMPLIANCE

- C406.2 More Efficient HVAC Equipment Performance
- C406.3 Reduced Lighting Power Density
- C406.4 Enhanced Digital Lighting Controls
- C406.5 On-Site Renewable Energy
- C406.6 Dedicated Outdoor Air System
- C406.7 Reduced Energy Use in Service Water Heating

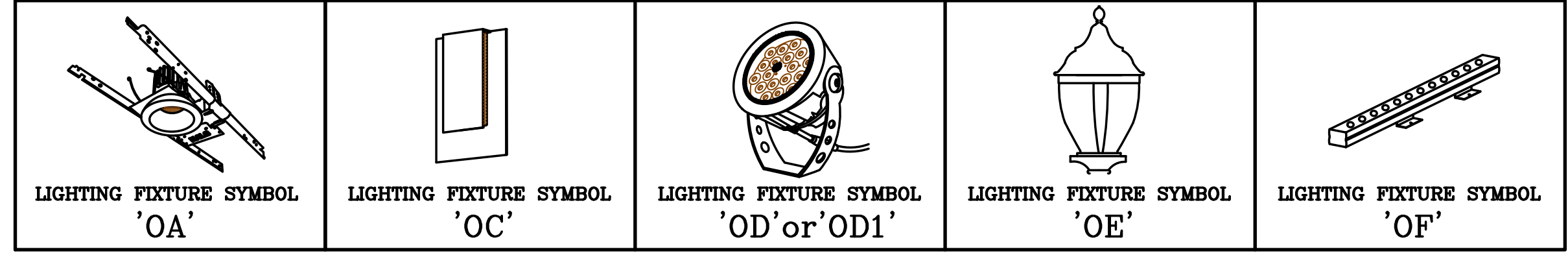
DESIGNER STATEMENT:
To the best of my knowledge and belief, the design of this building complies with the thermal envelope requirements of the North Carolina State Building Code, 2018 Energy Conservation Code.

NAME: DAVID S. SMITH
TITLE: ELECTRICAL ENGINEER

4 ENERGY CODE
SCALE: NONE

EQUAL LIGHT MANUFACTURER NOTE

THE LIGHTING FIXTURES INDICATED WITHIN THIS FIXTURE SCHEDULE ONLY INDICATE THE MINIMAL QUALITY STANDARDS FOR DESIGN BASIS THAT ARE REQUIRED FOR THE FIXTURES THAT ARE TO BE INSTALLED WITHIN THIS FACILITY. ALL MANUFACTURERS THAT PROVIDE A FIXTURE EQUAL TO THE DESIGN BASIS FIXTURES ARE QUALIFIED TO SUBMIT THE PRODUCT FOR EVALUATION. A POINT X POINT CALCULATION IS REQUIRED TO PROVE THE EQUAL PERFORMANCE.



LIGHTING FIXTURE SCHEDULE										
SYM	MNFR	CATALOG #	LAMP		BALLAST		VOLT-AMPS	VOLTAGE	MTD HEIGHT	DESCRIPTION
			NO.	TYPE	NO.	TYPE				
OA	PORTFOLIO OR EQUAL	LD6B-10-D010/EU6B-1020-80-40/6LB-W-2-LI	-	LED 1000 LUM 4000K	-	-	11	120/277V	CEILING MOUNTED	LED DOWNLIGHT, LOW PROFILE, ALUMINUM DIECAST HOUSING, STANDARD FINISH, UL LISTED WET LOCATION
OC	SONNEMAN LIGHTING	7264-98-WL	-	LED 80 CRI 4000K 1335 LUM	-	-	21W	120 VAC	MTD ON BUILDING FACADE	REVEAL WALL LIGHT, COLOR BY ARCHITECT HEIGHT 11.8\"/>
OD	INSIGHT LIGHTING	9SP2-50-40K-60-TR-120V-DIMXX-XX	-	LED 1375 LUMENS 4000K	-	-	50 W	UNIVERSAL 277V/120V	GND, MTD (EVA)	9\"/>
OD1	INSIGHT LIGHTING	9SP2-30-40K-10-TR-120V-DIMXX-XX	-	LED 1375 LUMENS 4000K	-	-	50 W	UNIVERSAL 277V/120V	GND, MTD (EVA)	SAME AS ABOVE EXCEPT 30 WATTS AND 10 DEGREE OPTIC 9\"/>
OE	MCGRAW EDISON	GAR-080-LED-E1-5-GLOW-A-X-XX	-	LED 1450 LUMENS 4000K	-	-	99.0	UNIVERSAL 277V/120V		DECORATIVE POST TOP LUMINAIRE, CLASSICAL CAGE, ACORN (TOP GLOW), ARCH FINIAL, TYPE V, COLOR BY ARCH
OF	GENELAC ACOLYTE LIGHTING	NANO-24-9-80-40-25X35-TS-010	-	LED 80 CRI 4000K	-	-	18W	120/277V	MTD ON FRONT OF BUILDING	EXTERIOR LINEAR FIXTURE, 80 CRI, 4000K, 25\"/>

3 EXTERIOR LIGHT FIXTURE SCHEDULE
SCALE: NONE

SCHEDULES

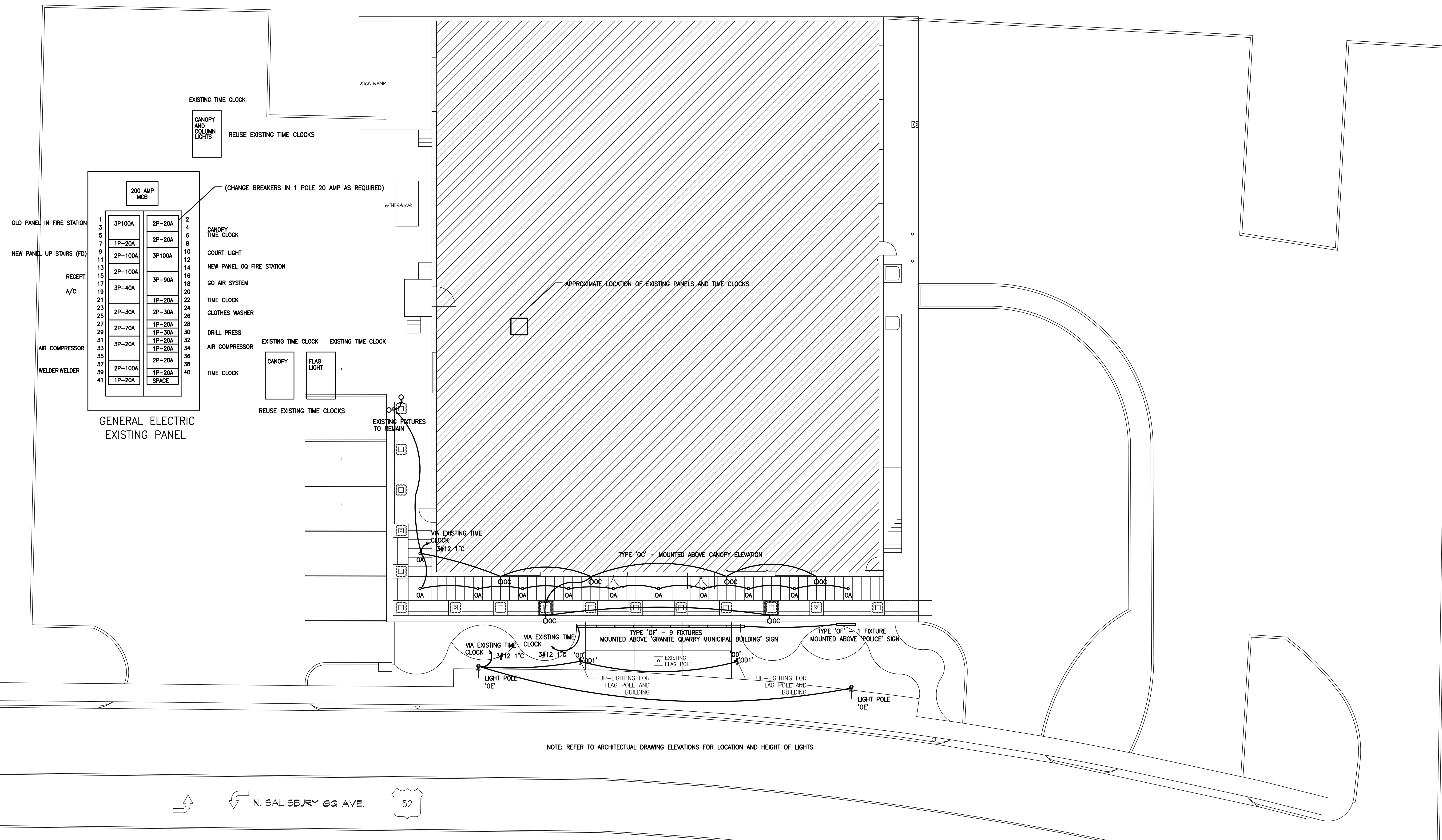
2196 East Holly Grove Road
P.O. Box 1256
Lexington, N.C. 27293
Design Engineering, Inc. 336/224-0100
336/224-0099 (fax)

Granite Quarry Town Hall Facade Improvements

Granite Quarry, NC

DESIGNED BY
DRAWN BY
CHECKED BY
DATE 11/18/20
DATE 11/18/20
DATE 11/18/20
DATE 11/18/20

SHEET NO.
E0.1
OF 2



SITE PLAN

NOTE: REFER TO ARCHITECTURAL DRAWING ELEVATIONS FOR LOCATION AND HEIGHT OF LIGHTS.

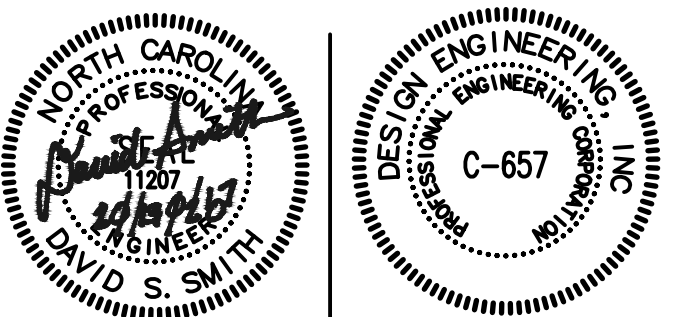
N. SALISBURY GQ AVE. 52

SITE PLAN
SCALE: 1"=1'-0"

2196 East Holly Grove Road
P.O. Box 1256
Lexington, N.C. 27293
Design Engineering, Inc. 336/224-0100
336/224-0099 (fax)

**Granite Quarry
Town Hall Facade
Improvements**

Granite Quarry, NC



DSS
DRAWN BY
DSS
CHECKED BY
FEB 2020
WFS
SHEET NO.
E.I.1
OF 2