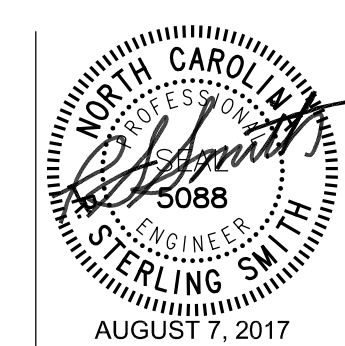


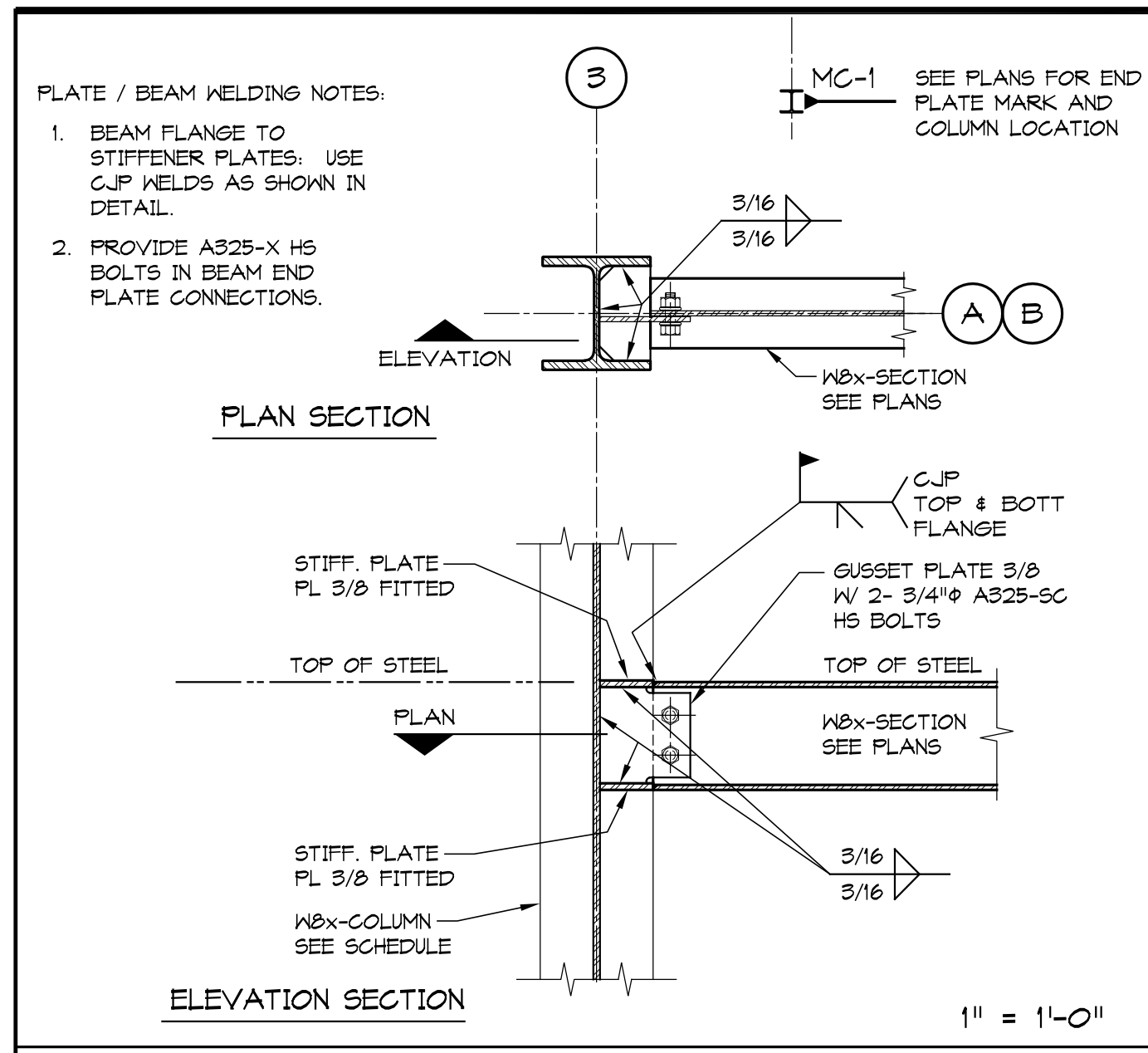


**BRACED FRAME
ELEVATION
SECTIONS &
DETAILS**

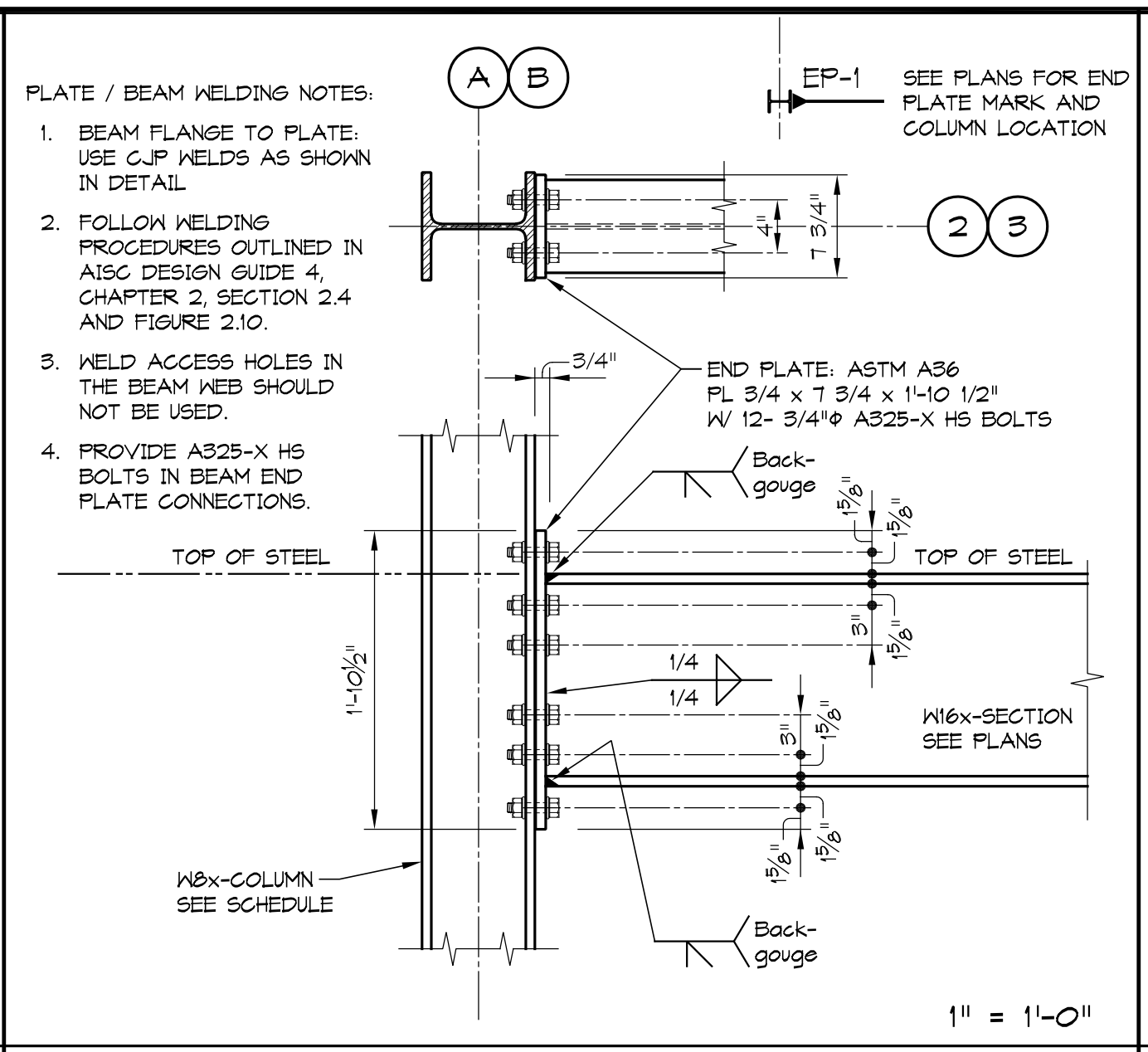
**CLEMMONS FIRST
BAPTIST CHURCH
NARTHEX ADDITION**



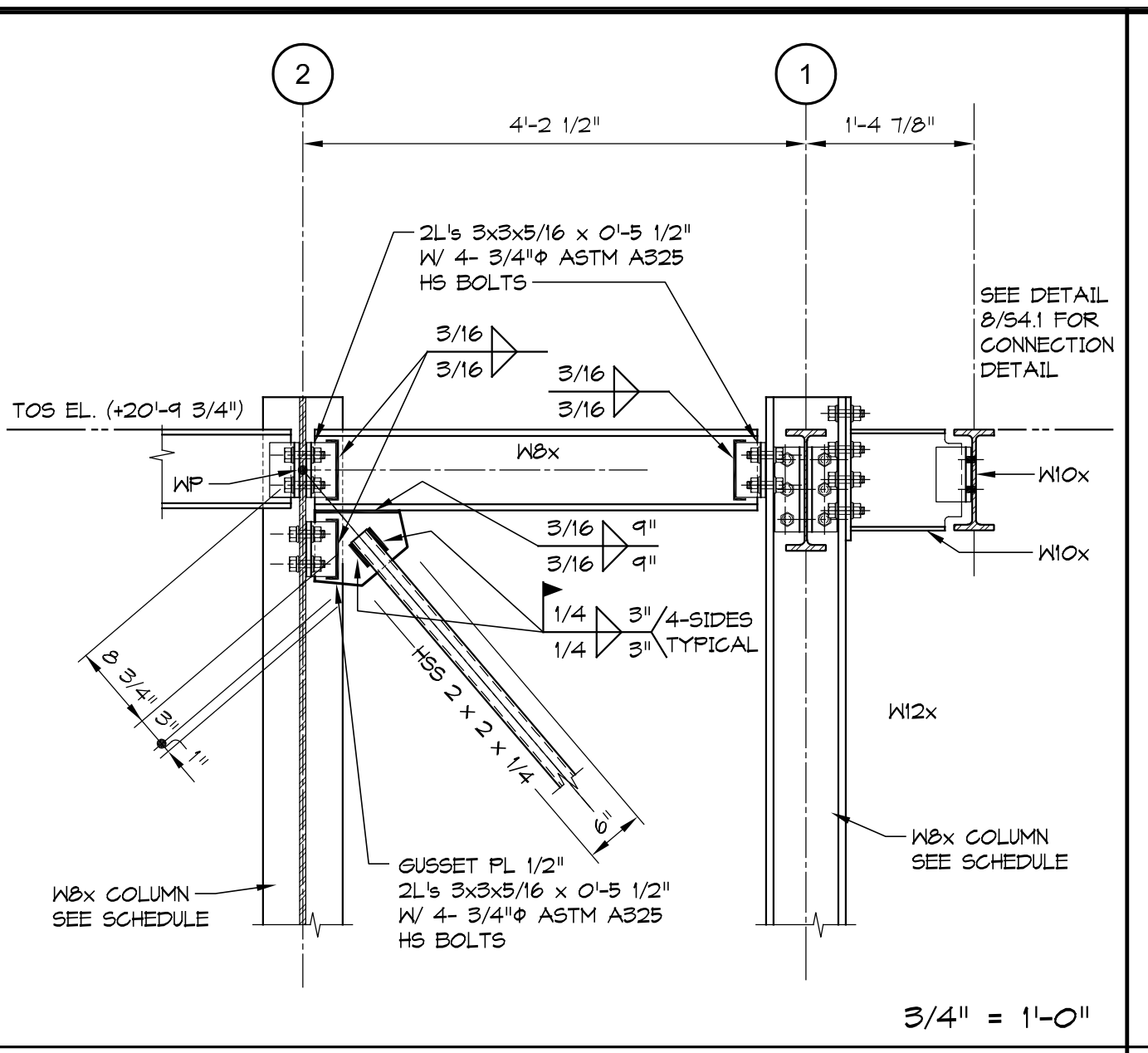
AUGUST 7, 2017



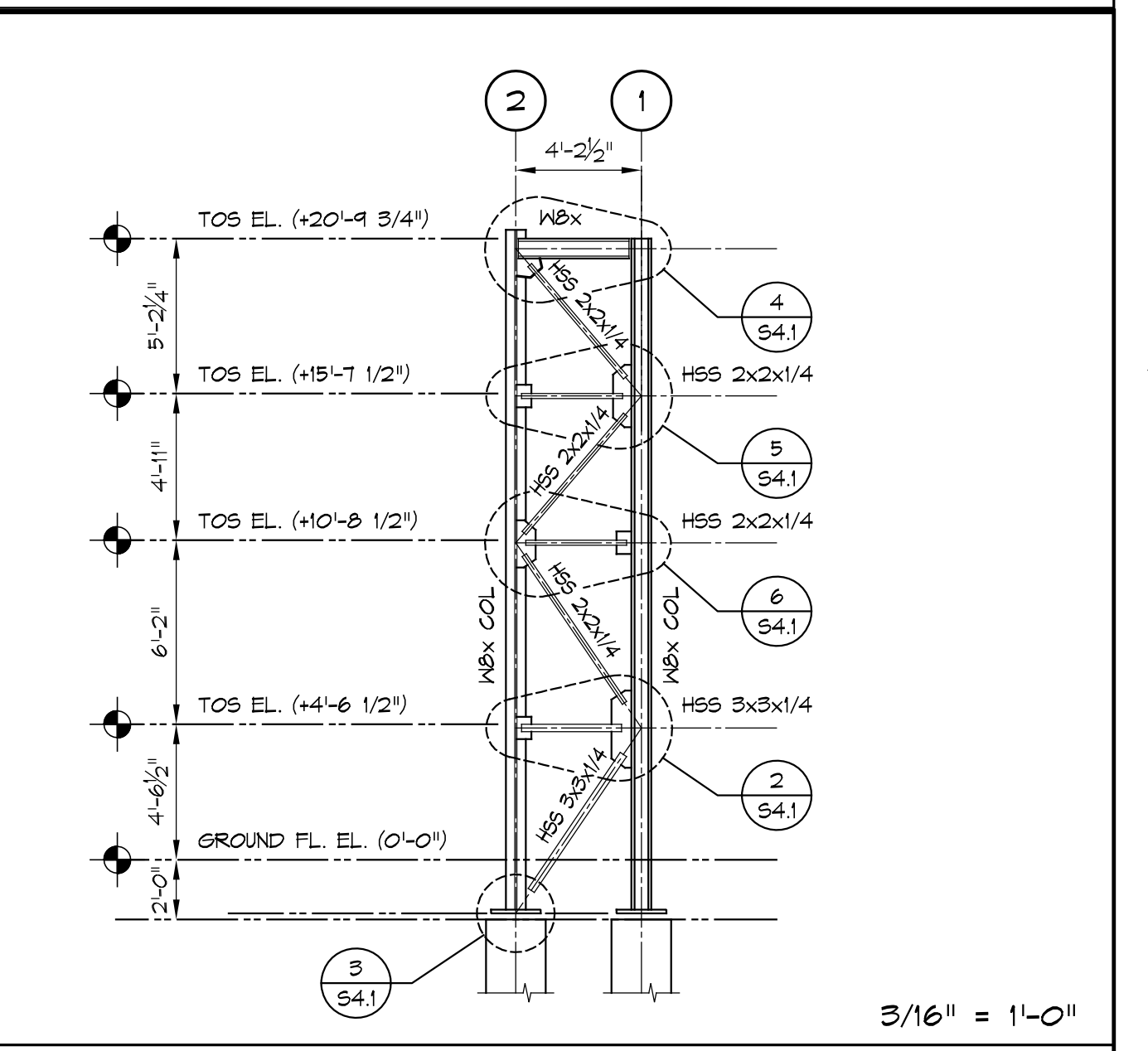
10 MC-1, COLUMN WEB, MOMENT CONNECTION



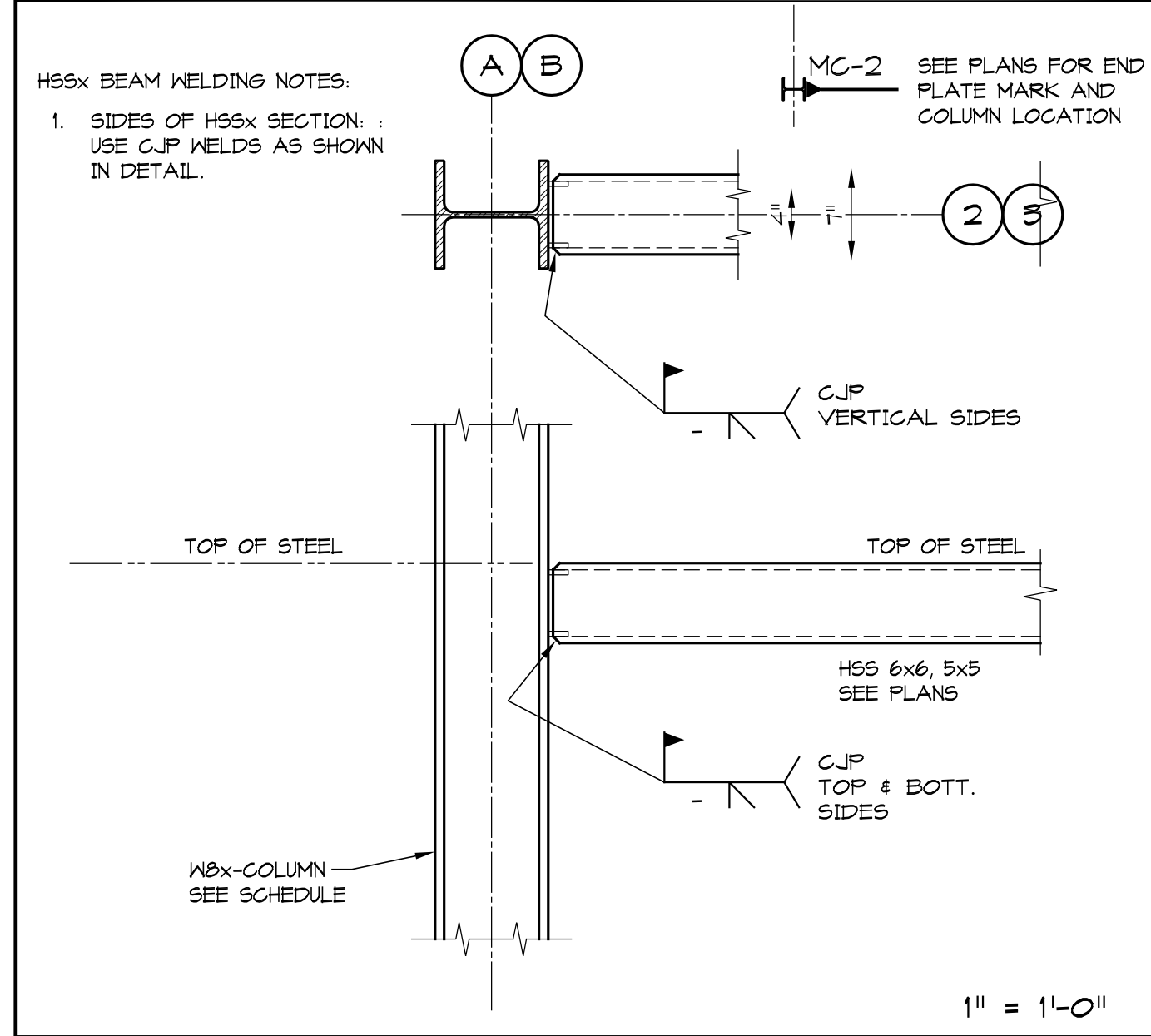
7 EP-1, END PLATE MOMENT CONNECTION



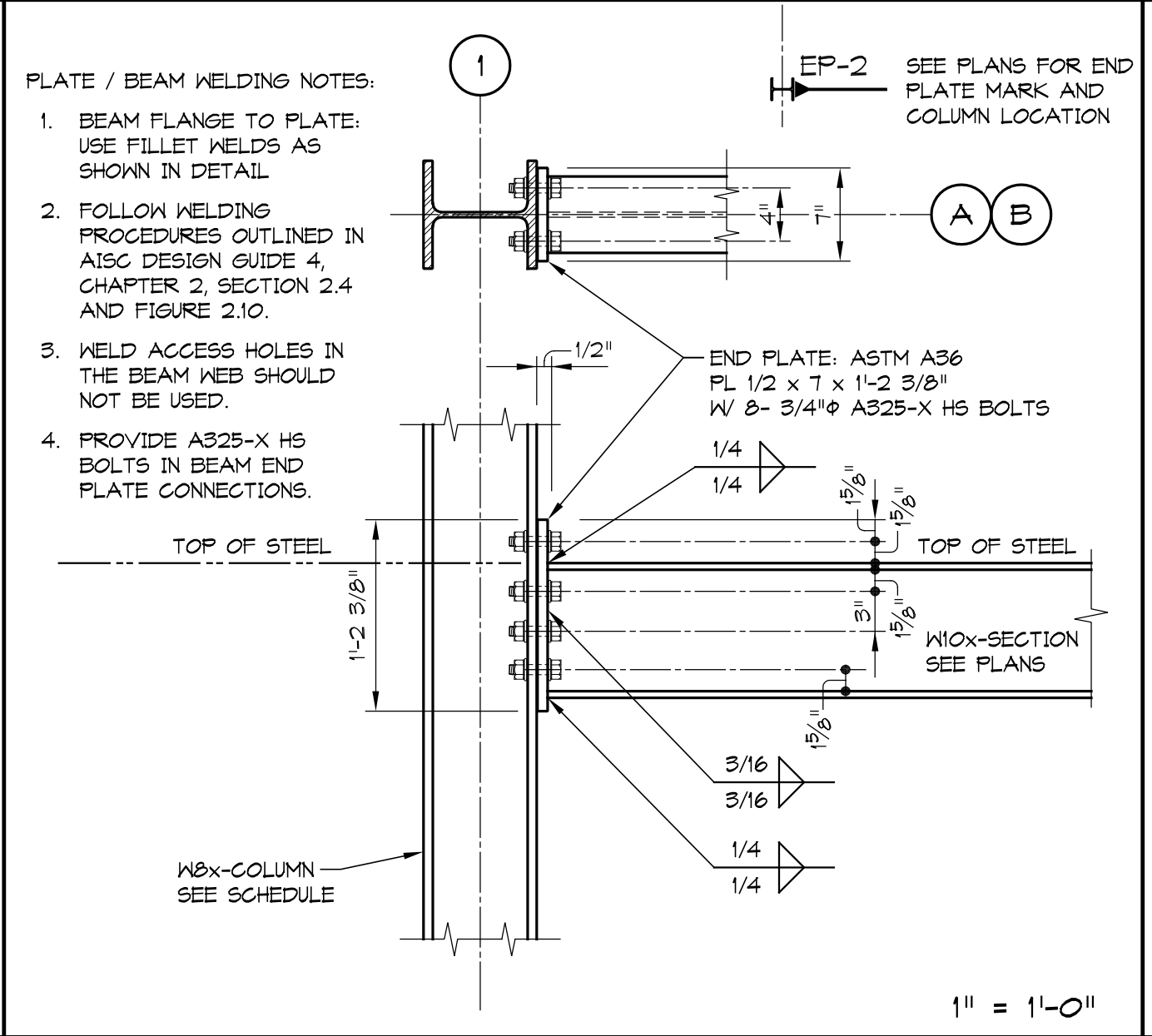
4 BRACE CONNECTION A-1, B-1



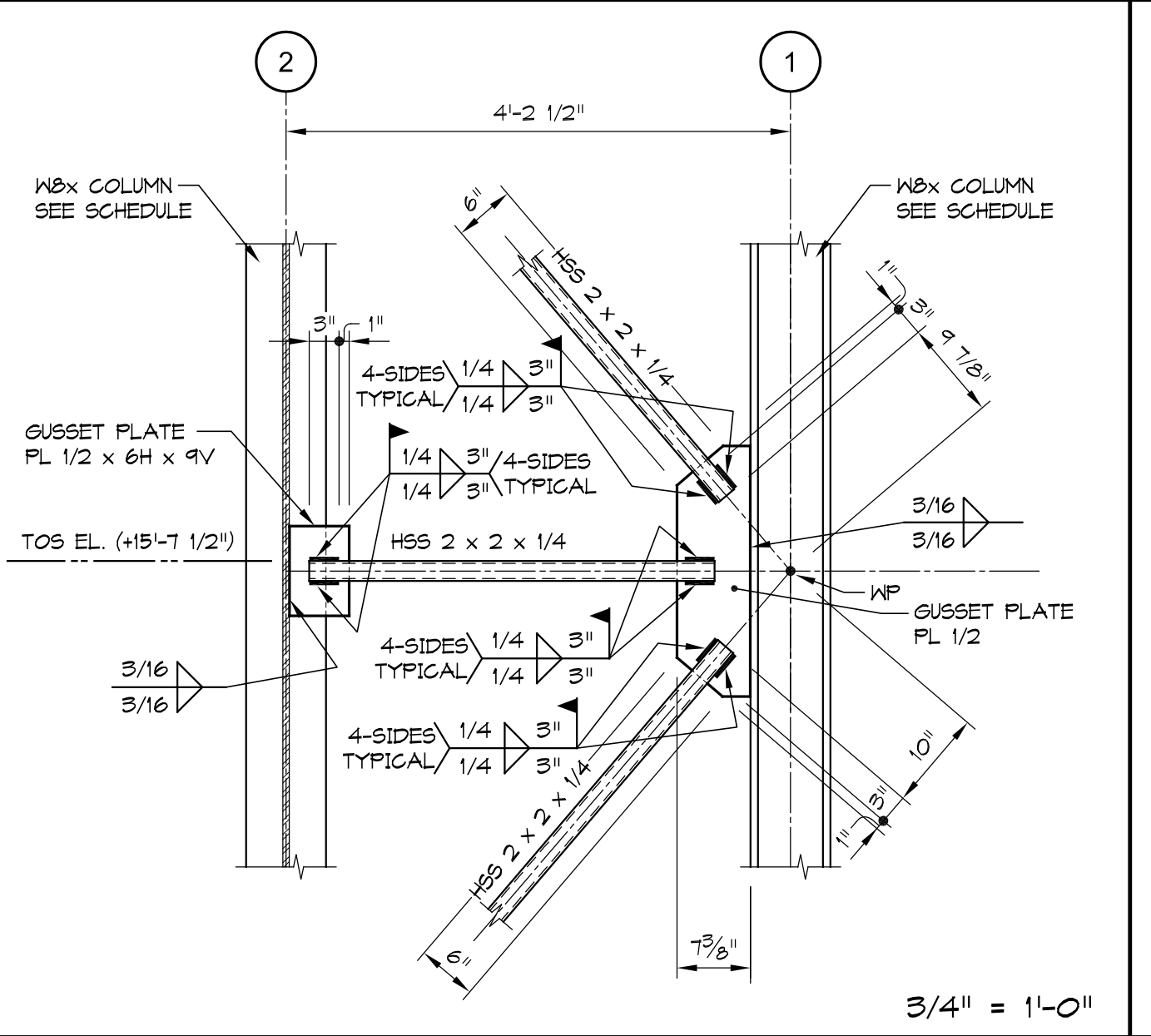
1 BRACED FRAME ELEVATION



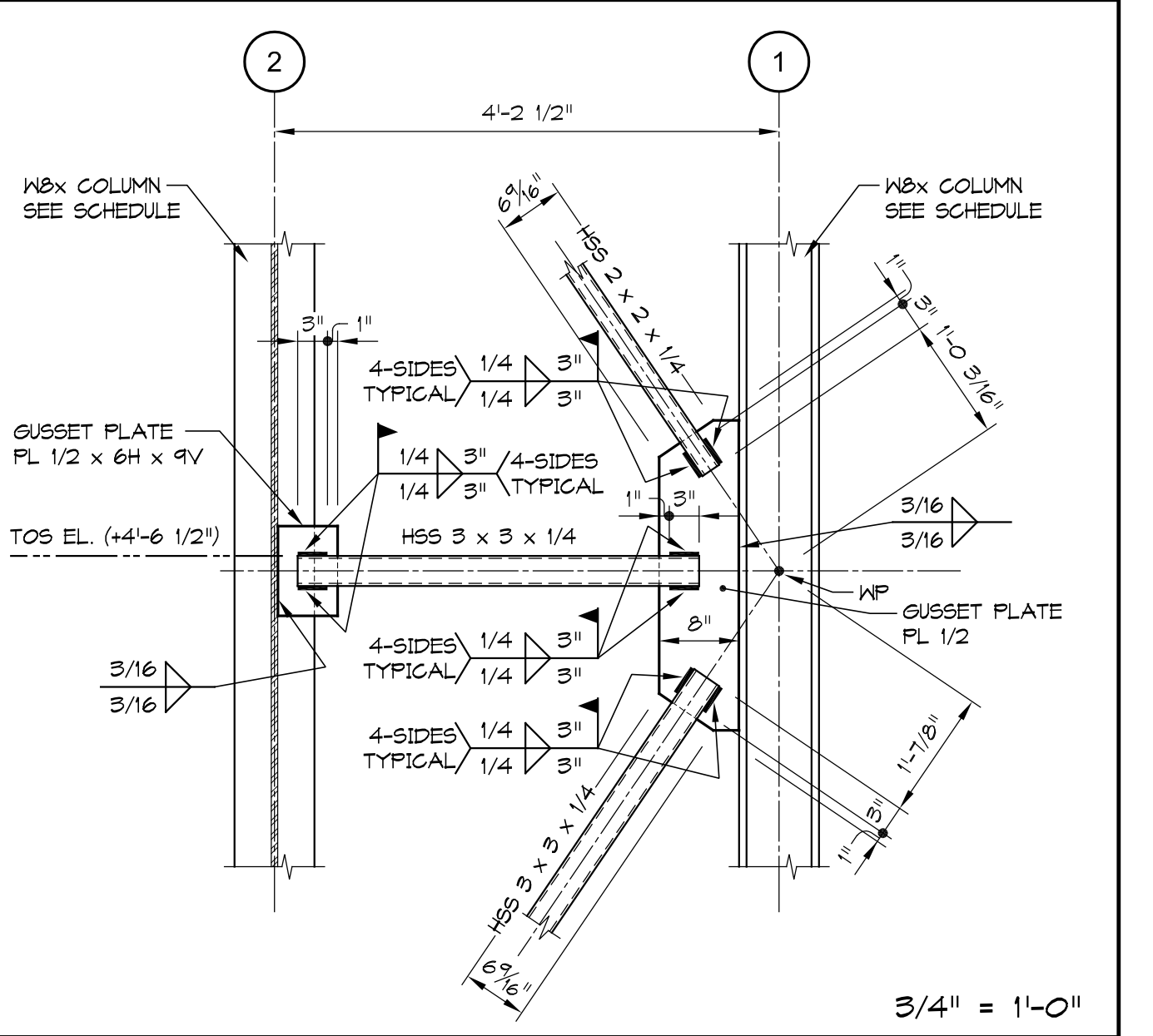
11 MC-2, HSS SECTION MOMENT CONNECTION



8 EP-2, END PLATE MOMENT CONNECTION



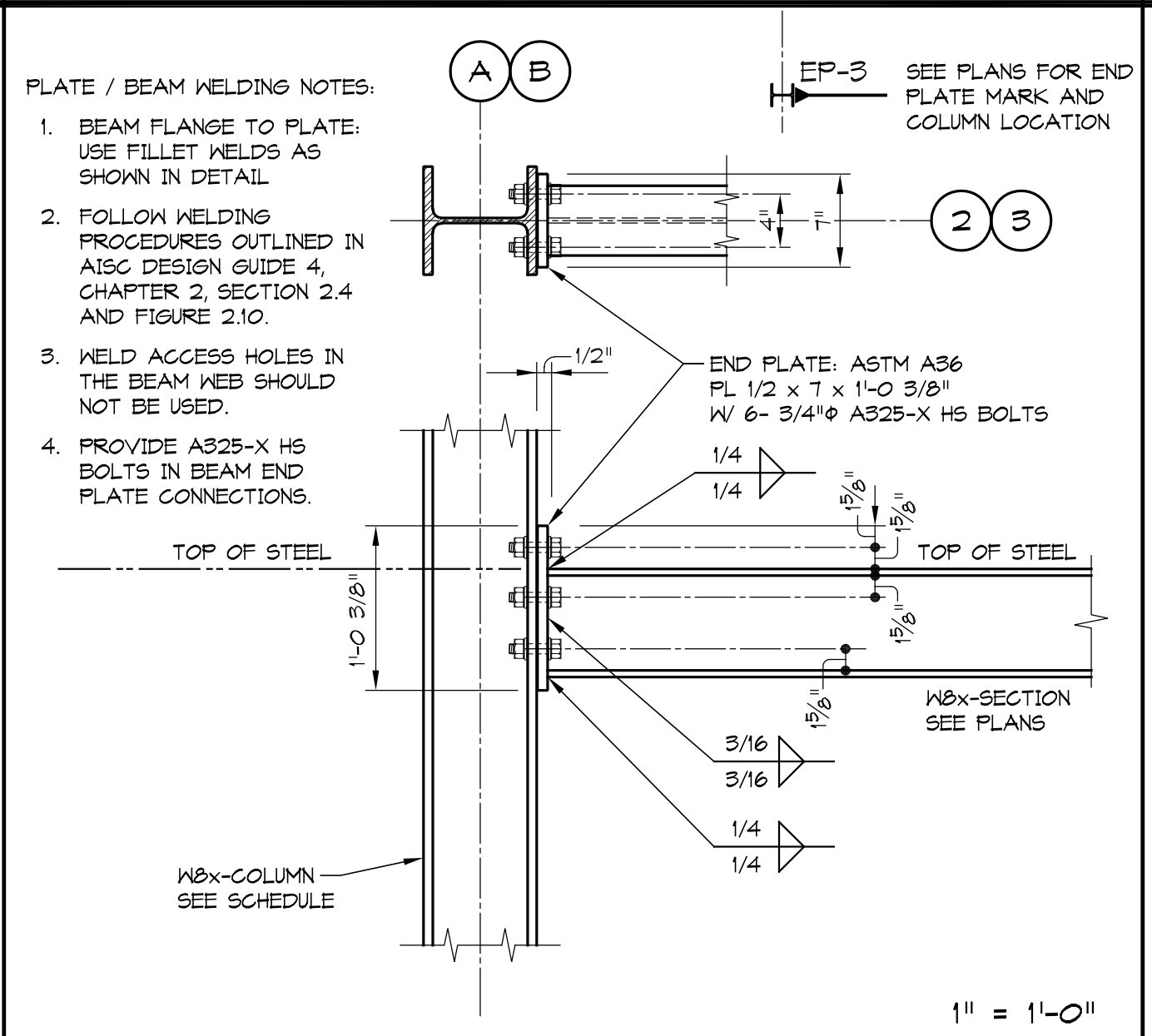
5 BRACE CONNECTION A-1, B-1



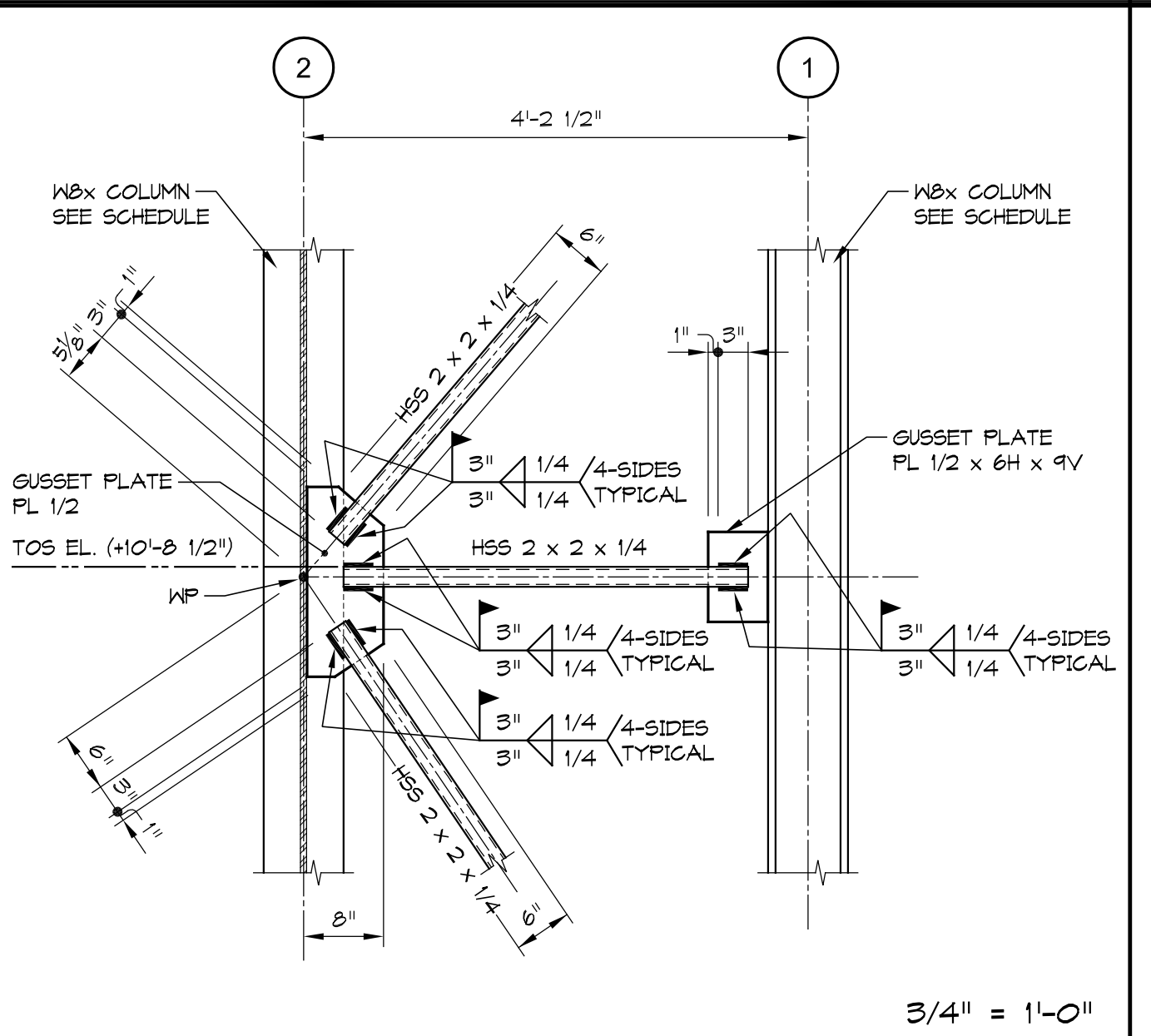
2 BRACE CONNECTION A-1, B-1



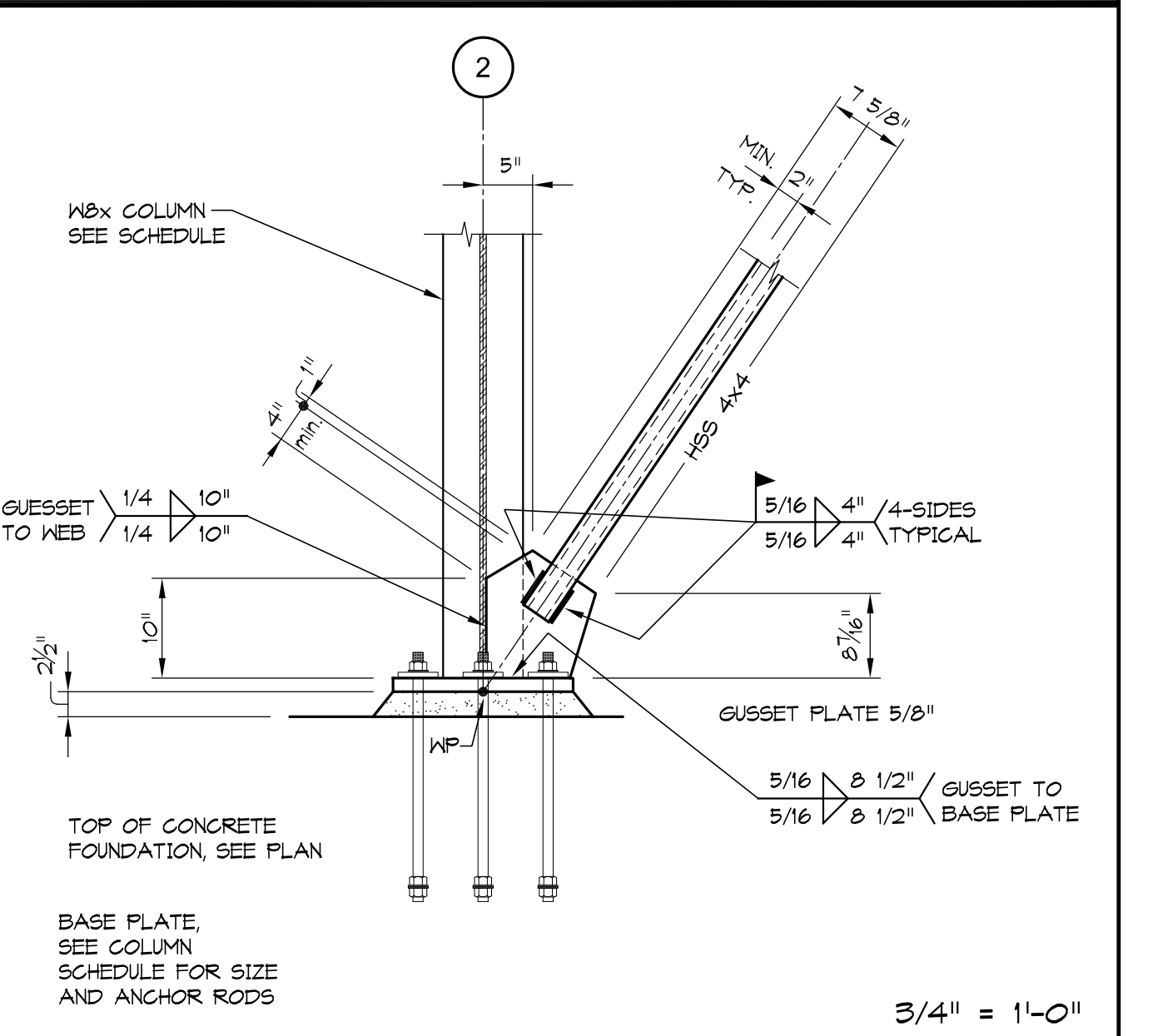
9 EP-3, END PLATE MOMENT CONNECTION



6 BRACE CONNECTION A-1, B-1



3 BRACE CONNECTION A-2, B-2



3 BRACE CONNECTION A-2, B-2