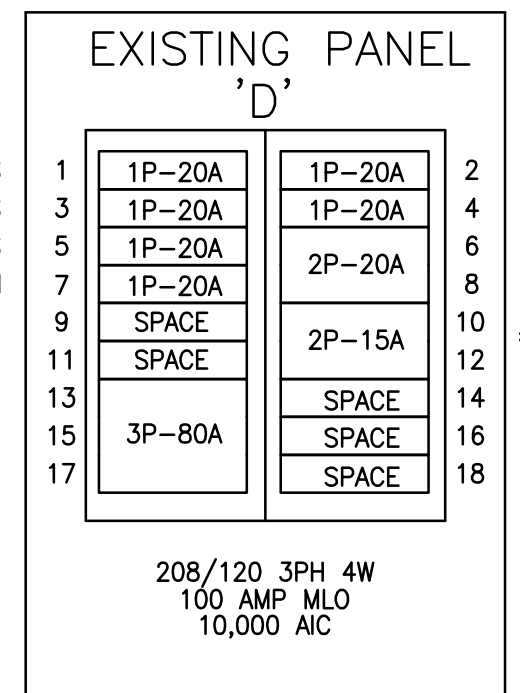


CODES

- A. WORK AND MATERIALS SHALL CONFORM TO THE LATEST RULES OF THE NATIONAL BOARD OF FIRE UNDERWRITERS' CODE, REGULATIONS OF THE STATE FIRE MARSHAL, AND WITH APPLICABLE LOCAL CODES AND WITH ALL PREVAILING RULES AND REGULATIONS PERTAINING TO ADEQUATE PROTECTION AND/OR GUARDING OF ALL MOVING PARTS, OR OTHERWISE HAZARDOUS CONDITIONS. NOTHING IN THESE SPECIFICATIONS SHALL BE CONSTRUED TO PERMIT WORK NOT CONFORMING TO THE MOST STRINGENT OF APPLICABLE CODES.
- B. THE NATIONAL ELECTRIC CODE, THE LOCAL ELECTRIC CODE, AND THE ELECTRICAL REQUIREMENTS AS ESTABLISHED BY THE STATE AND LOCAL FIRE MARSHAL, AND RULES AND REGULATIONS OF THE POWER COMPANY SERVING THE PROJECT, ARE HEREBY MADE PART OF THE DRAWINGS OR SPECIFICATIONS TO MAKE THE WORK COMPLY WITH THESE REQUIREMENTS. THE ELECTRICAL CONTRACTOR SHALL SO NOTIFY THE ARCHITECT.
- C. CONDUCTOR MATERIAL
 - 1. THE CONDUCTOR MATERIAL SHALL BE AS FOLLOWS, UNLESS OTHERWISE NOTED:
 - A. FEEDERS: SHALL BE TYPE THHN OR THWN RATED AT 75 DEGREES CENTRIGRADE.
 - 2. CONDUCTORS INDICATED ON THE DRAWINGS ARE BASED ON COPPER.
 - 3. ALL CONDUCTORS WITH THE SIZE OF NO. 8 OR LARGER SHALL BE STRANDED.
- D. ALL WORK SHALL BE PERFORMED BY A LICENSED ELECTRICAL CONTRACTOR.

4 ELECTRICAL SPECIFICATIONS
E3 SCALE: NONE

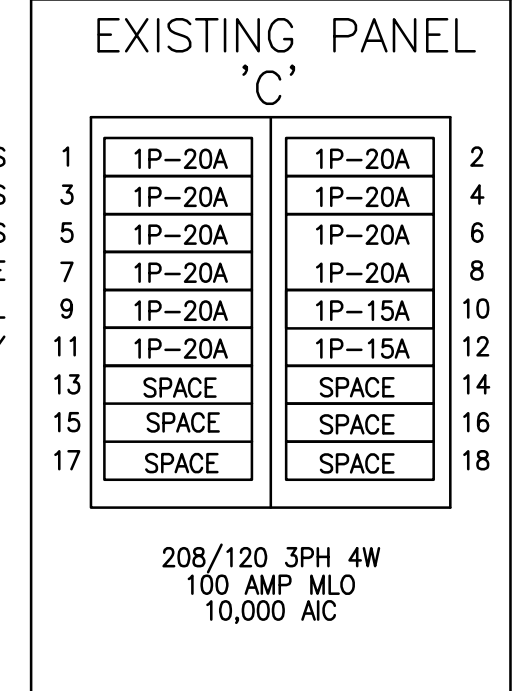
LTS HALL & BEGINNERS
LIGHTS BEGINNERS
PROJECTOR & PROJECTOR SCREEN



PLUGS BEGINNERS #3 & HALL
PLUG
20 AMP 220 VOLT PLUG
* AC UNIT (NEW)

* PROVIDE NEW 2-P 15A BREAKER FOR PANEL MATCH PANEL AIC RATING.
* WIRE SIZE FOR 2-POLE 15 AMP CIRCUITS
WIRE - 1(2 #12, 1 #12 GND., 3/4")

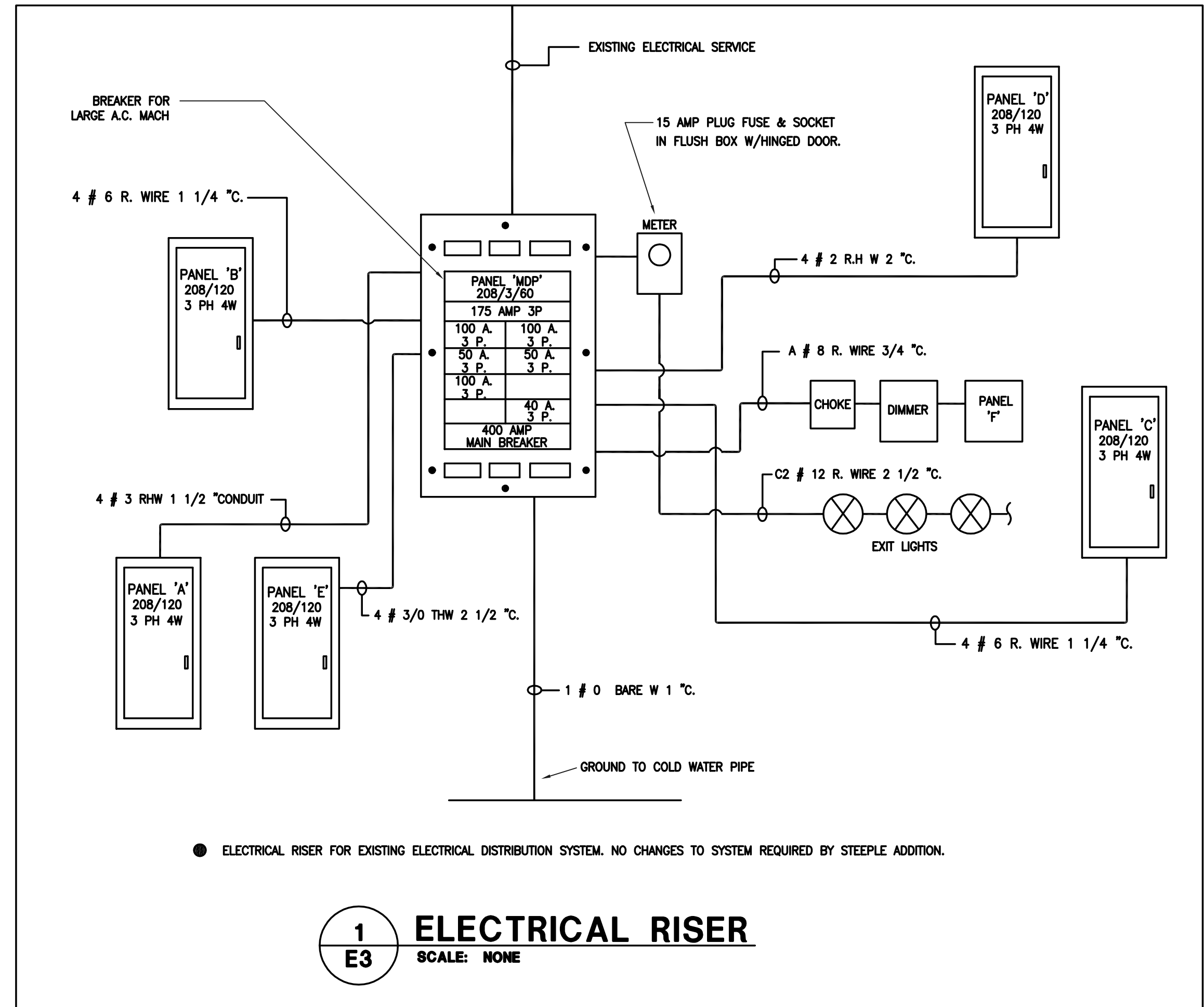
ENTRANCE HALL LIGHTS
STAIRWAY LIGHTS
OFFICE LIGHTS
RECEPTACLE HALL & OFFICE
RECEPTION OUTSIDE OFFICE WALL
RECEPTACLE BACK RIGHT SIDE SANCTUARY



RECEPTABLES BACK LEFT SANCTUARY
VESTIBULE LIGHTS
20 AMP 220 VOLT PLUG
* LIGHTS (NEW)
* OUTSIDE LIGHTS (NEW)

* PROVIDE NEW 1-P 15A BREAKER FOR PANEL MATCH PANEL AIC RATING.
WIRE SIZE FOR EACH 1-POLE 15 AMP CIRCUIT
WIRE - 1(1 #12, 1 #12 GND., 3/4")

3 PANEL SCHEDULE
E3 SCALE: NONE

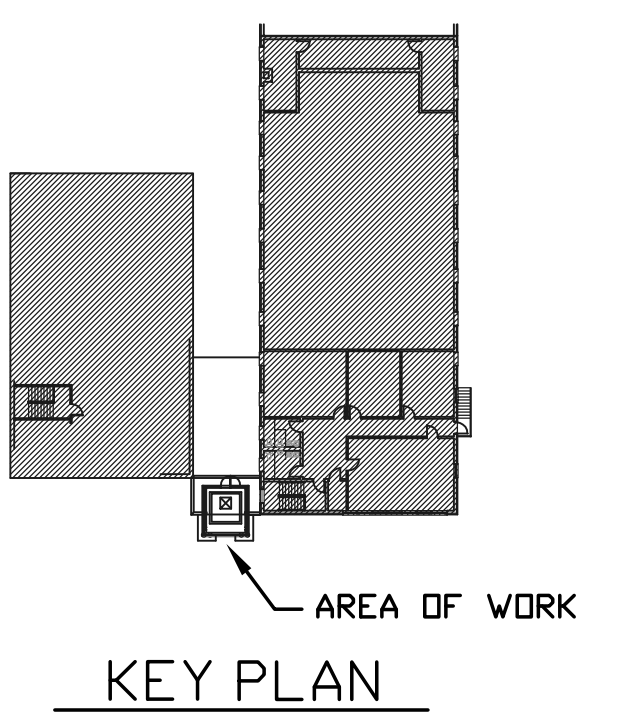


● ELECTRICAL RISER FOR EXISTING ELECTRICAL DISTRIBUTION SYSTEM. NO CHANGES TO SYSTEM REQUIRED BY STEEPLE ADDITION.

1 ELECTRICAL RISER
E3 SCALE: NONE

225 NORTH MAIN STREET - SUITE 501
SALISBURY, NORTH CAROLINA 28144
Phone: (704) 633-3121 Fax: (704) 633-5361
Email: rbsa@rbsarch.com (www.rbsarch.com)

PUBLICATION OR REUSE OF THESE DRAWINGS OR ANY DETAILS THEREFROM MUST BE WITH THE WRITTEN CONSENT OF THE ARCHITECT



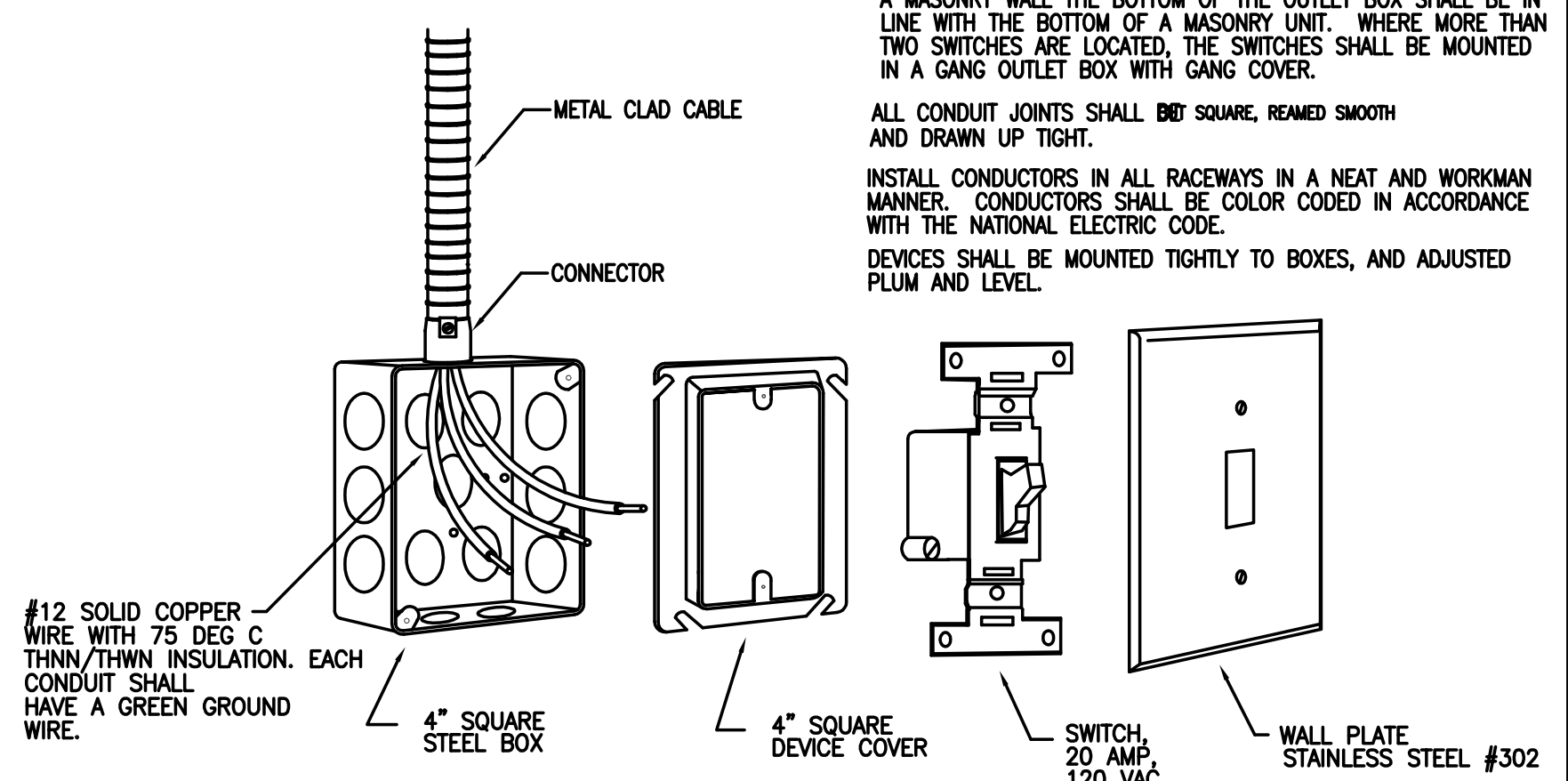
NOTES:

SWITCH OUTLET BOXES: WALL SWITCHES SHALL BE MOUNTED APPROXIMATELY 48 INCHES ABOVE THE FINISHED FLOOR (AFF) UNLESS OTHERWISE NOTED. WHEN THE SWITCH IS MOUNTED IN A MASONRY WALL THE BOTTOM OF THE OUTLET BOX SHALL BE IN LINE WITH THE BOTTOM OF A MASONRY UNIT. WHERE MORE THAN TWO SWITCHES ARE LOCATED, THE SWITCHES SHALL BE MOUNTED IN A GANG OUTLET BOX WITH GANG COVER.

ALL CONDUIT JOINTS SHALL BE SQUARE, REAMED SMOOTH AND DRAWN UP TIGHT.

INSTALL CONDUCTORS IN ALL RACEWAYS IN A NEAT AND WORKMAN MANNER. CONDUCTORS SHALL BE COLOR CODED IN ACCORDANCE WITH THE NATIONAL ELECTRIC CODE.

DEVICES SHALL BE MOUNTED TIGHTLY TO BOXES, AND ADJUSTED PLUM AND LEVEL.



4 TYPICAL SWITCH DETAIL
E3 SCALE: NONE

RECEPTABLES

1. DUPLEX RECEPTABLES FOR GENERAL USE SHALL BE 2 POLE, 3 WIRE, GROUNDING TYPE WITH GREEN HEXAGONAL GROUND SCREW. GROUND TERMINALS AND POLES INTERNALLY CONNECTED TO MOUNTING YOKE. 20 AMPERES, 125 VOLTS; DESIGNED FOR SIDE AND BACK WIRING WITH SPRING LOADED, SCREW ACTIVATED PRESSURE PLATE, AND NEMA CONFIGURATION 5-20R.

2. GROUND FAULT CIRCUIT INTERRUPTER RECEPTABLES (GFCI) SHALL BE CAPABLE OF BEING INSTALLED IN A 2 3/4" DEEP OUTLET BOX WITHOUT ADAPTER, GROUNDING TYPE, UL RATED, RATED 20 AMPERES, 120 VOLTS, 60 HZ; WITH SOLID-STATE GROUND FAULT SENSING AND SIGNALING, WITH NEMA 5-15R CONFIGURATION AND 5 MILLIAMPS GROUND FAULT TRIP.

3. PANEL AND CIRCUIT NUMBERS SHALL BE LABELED ON ALL TRIM PLATES.

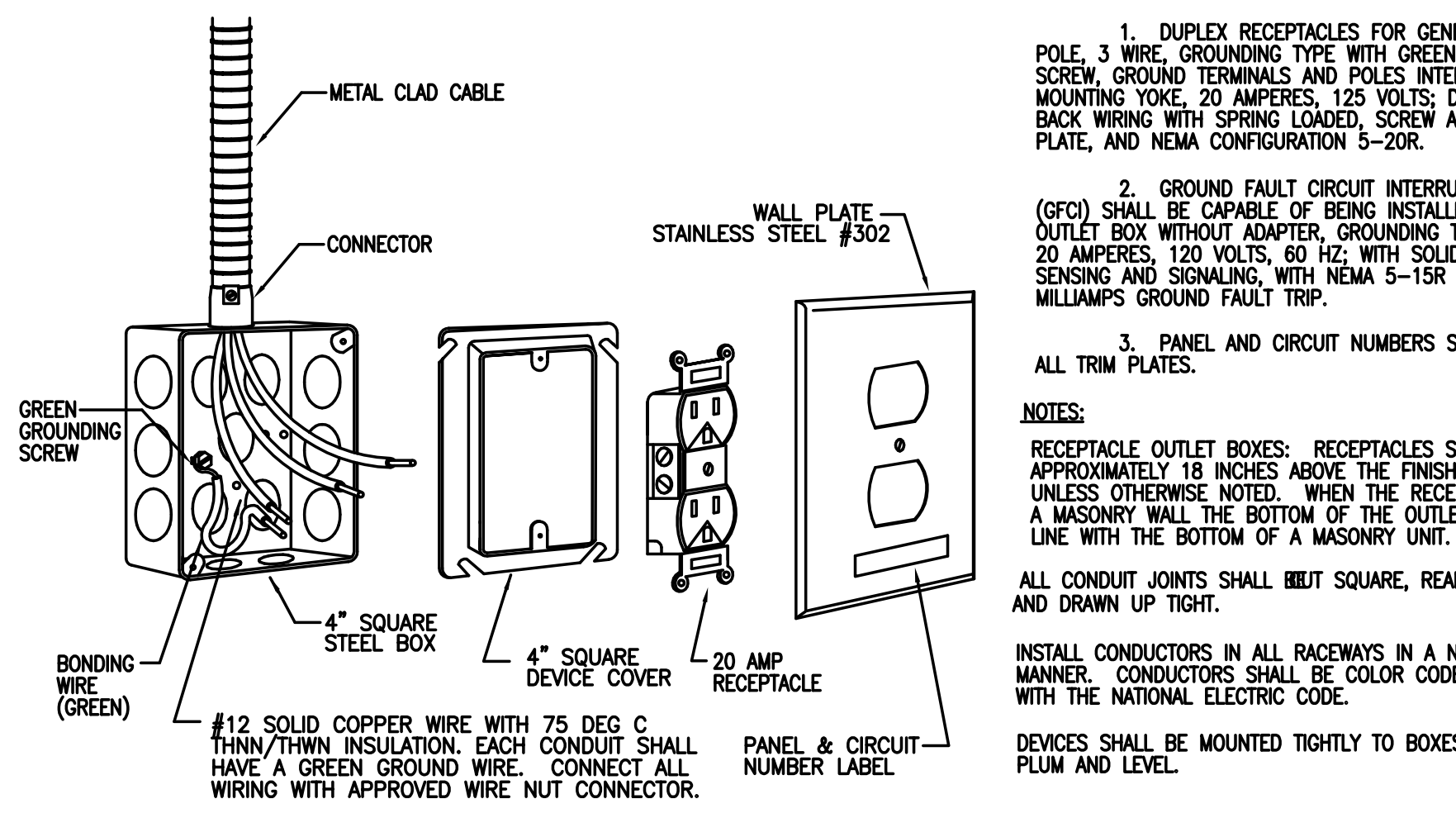
NOTES:

RECEPTACLE OUTLET BOXES: RECEPTABLES SHALL BE MOUNTED APPROXIMATELY 18 INCHES ABOVE THE FINISHED FLOOR (AFF) UNLESS OTHERWISE NOTED. WHEN THE RECEPTACLE IS MOUNTED IN A MASONRY WALL THE BOTTOM OF THE OUTLET BOX SHALL BE IN LINE WITH THE BOTTOM OF A MASONRY UNIT.

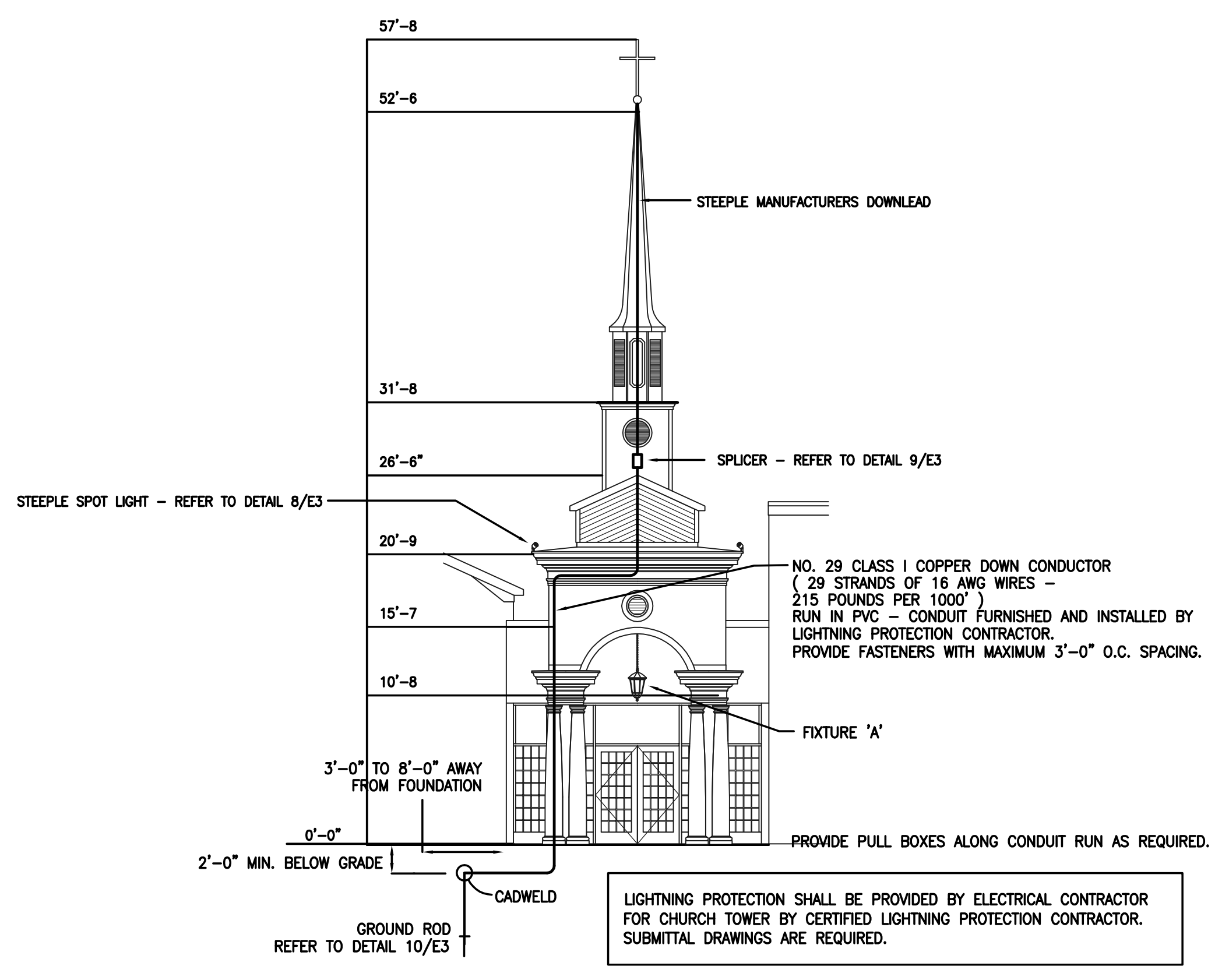
ALL CONDUIT JOINTS SHALL BE SQUARE, REAMED SMOOTH AND DRAWN UP TIGHT.

INSTALL CONDUCTORS IN ALL RACEWAYS IN A NEAT AND WORKMAN MANNER. CONDUCTORS SHALL BE COLOR CODED IN ACCORDANCE WITH THE NATIONAL ELECTRIC CODE.

DEVICES SHALL BE MOUNTED TIGHTLY TO BOXES, AND ADJUSTED PLUM AND LEVEL.

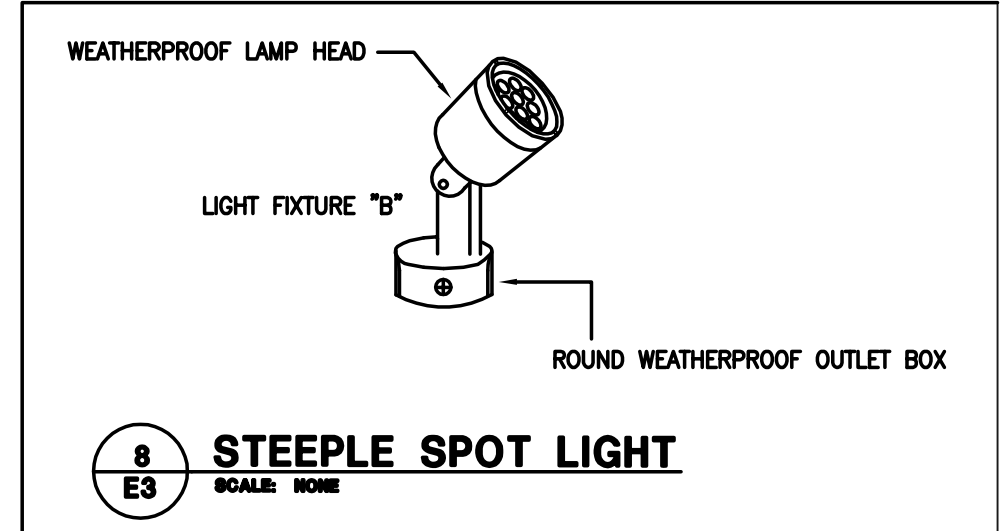
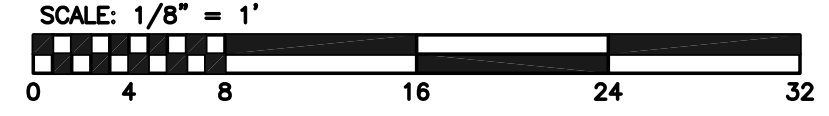


5 TYPICAL RECEPTACLE DETAIL
E3 SCALE: NONE

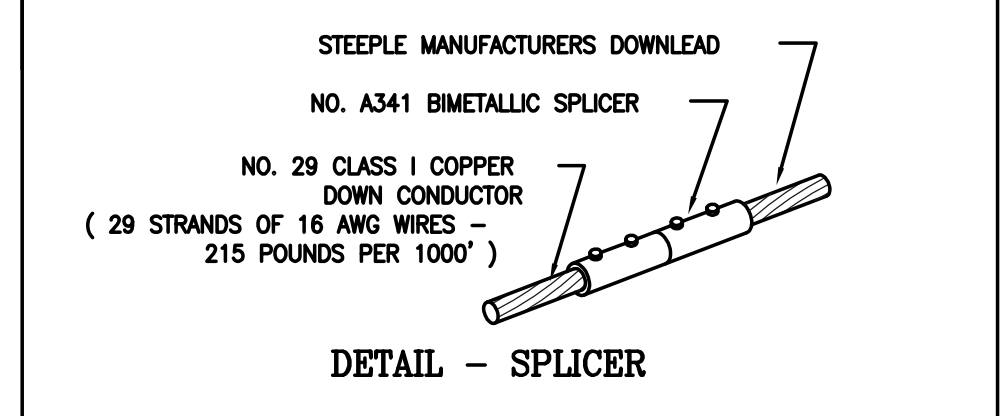


LIGHTNING PROTECTION SHALL BE PROVIDED BY ELECTRICAL CONTRACTOR FOR CHURCH TOWER BY CERTIFIED LIGHTNING PROTECTION CONTRACTOR. SUBMITTAL DRAWINGS ARE REQUIRED.

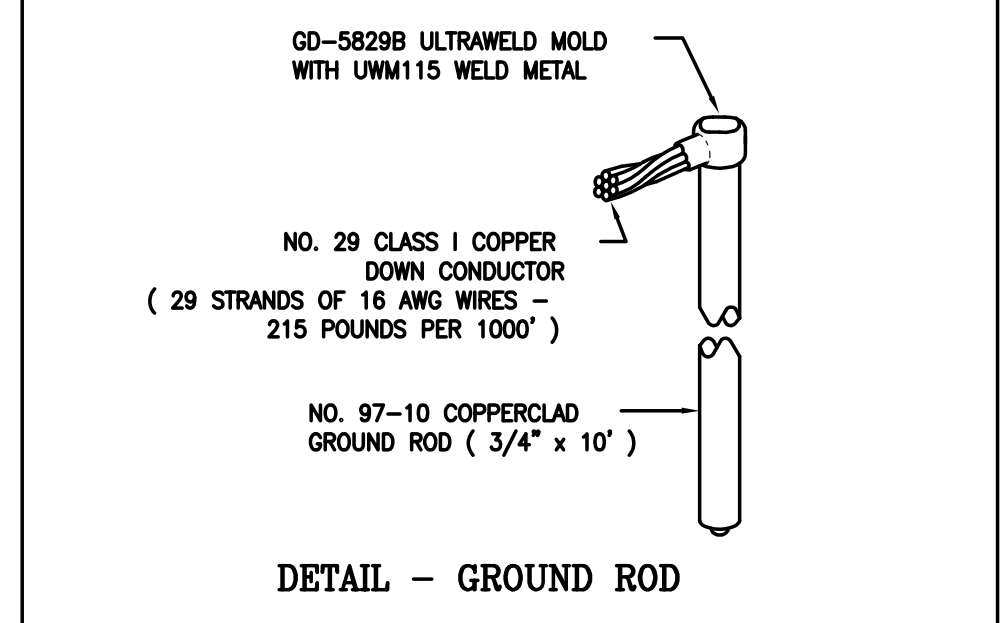
2 STEEPLE LIGHTING PROTECTION DETAIL
E3 SCALE: 1/8"=1'-0"



8 STEEPLE SPOT LIGHT
E3 SCALE: NONE



9 LIGHTING PROTECTION DETAIL
E3 SCALE: NONE

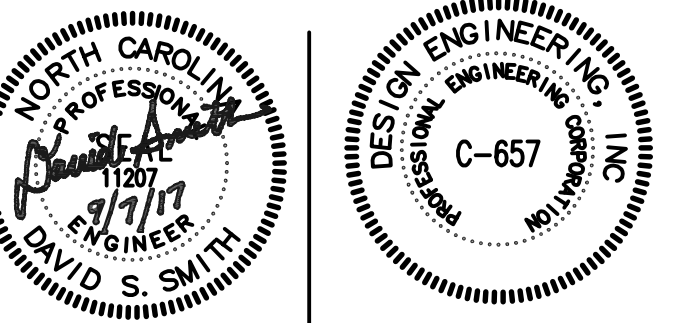


10 LIGHTING PROTECTION DETAIL
E3 SCALE: NONE

**ELECTRICAL
RISER**
PANEL SCHEDULES
LIGHTNING PROTECTION

2198 East Holly Grove Road
P.O. Box 1256
Lexington, N.C. 27293
Design Engineering, Inc. 336/224-0100
336/224-0099 (fax)

**CLEMMONS FIRST
BAPTIST CHURCH
NARTHEX ADDITION**



ASJ/MB
DRAWN BY
DSS
CHECKED BY
AUGUST-2017
DATE

SHEET NO.
E3

CONC. NO.
OF 3