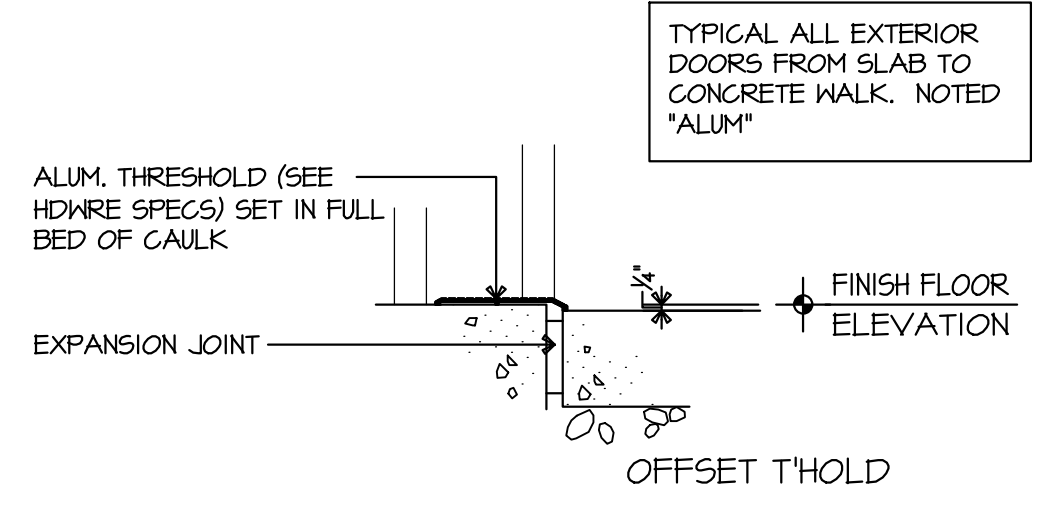


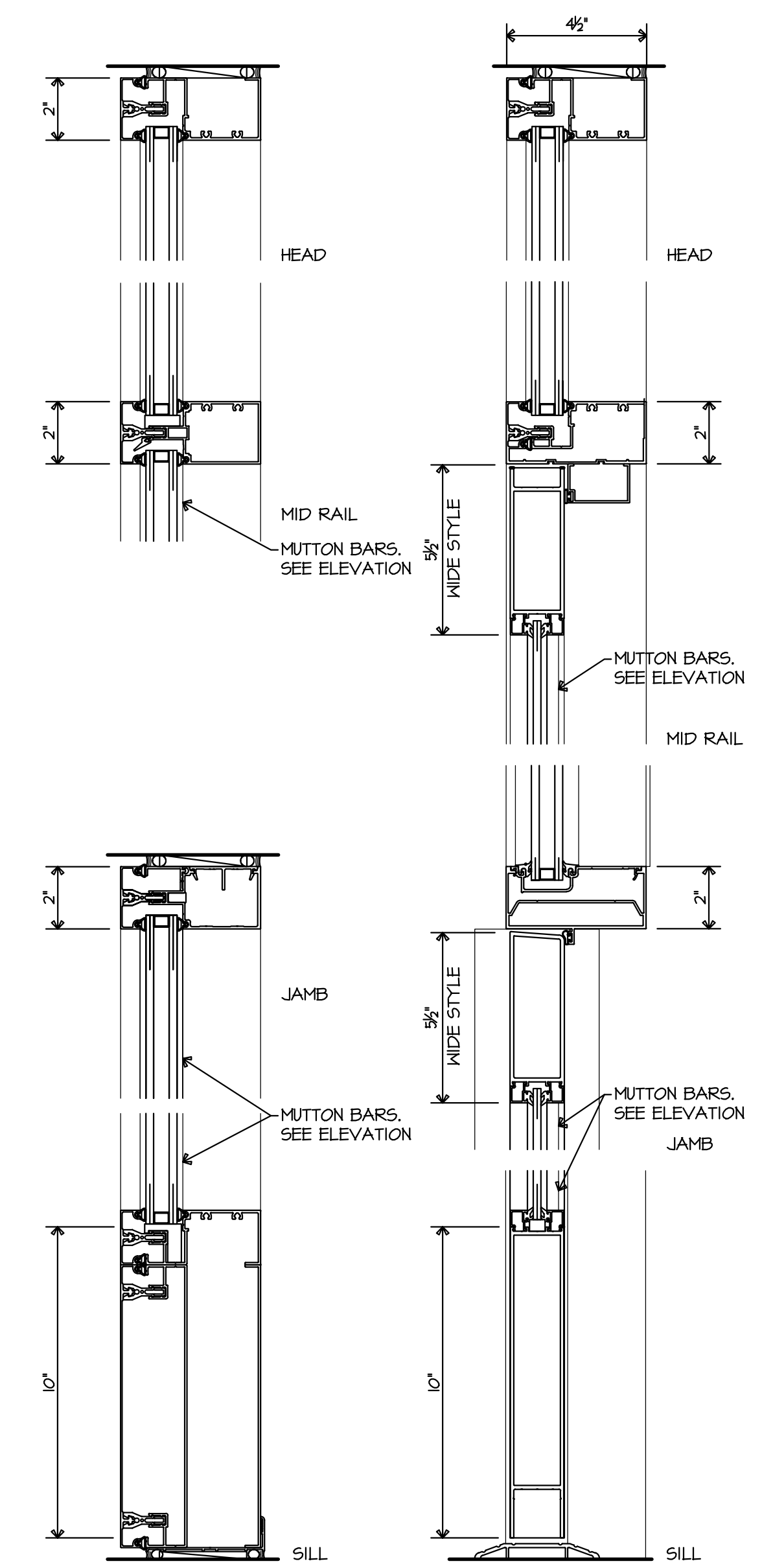
2 DOOR FRAMES
A6.1 SCALE: 1/2" = 1'-0"

1 DOOR TYPES
A6.1 SCALE: 1/2" = 1'-0"

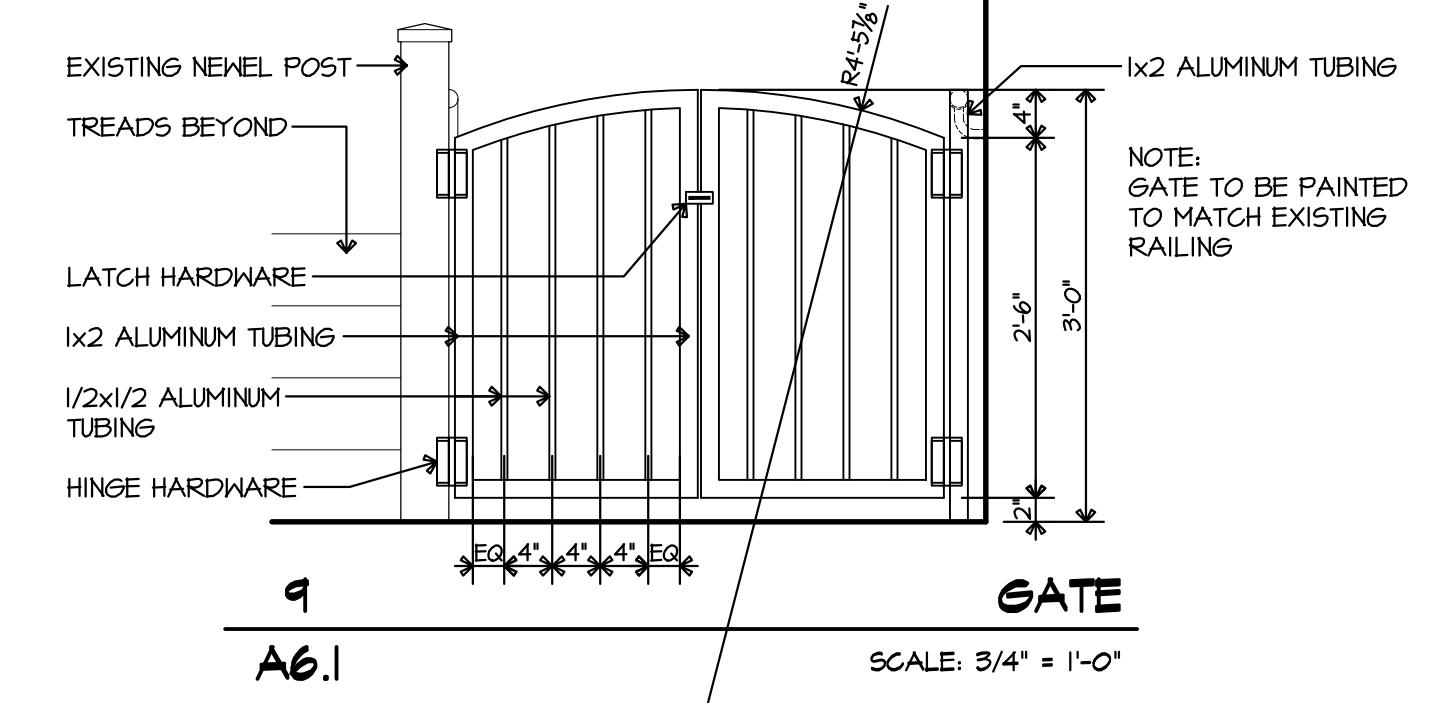


8 THRESHOLD
A6.1 SCALE: 1/2" = 1'-0"

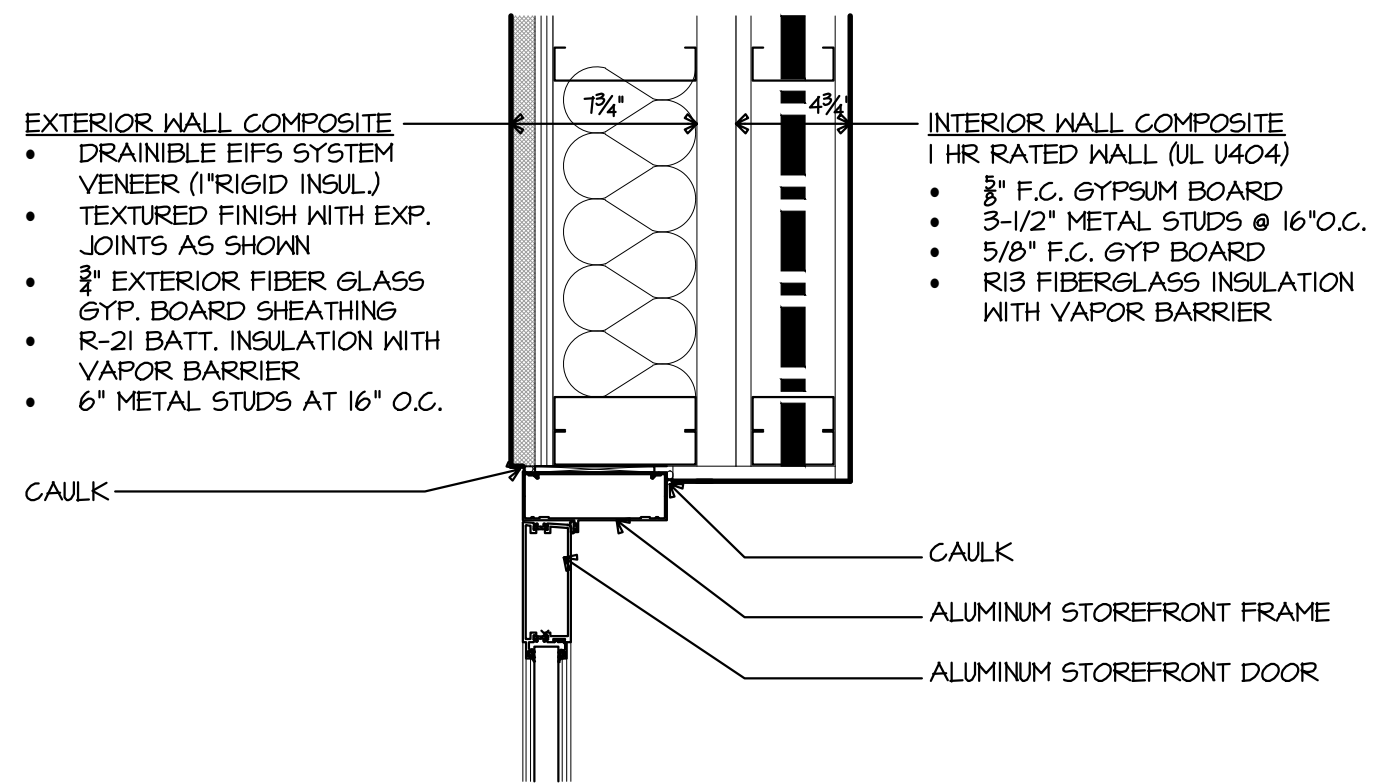
DOOR SCHEDULE										
DOOR NO.	ROOM DESCRIPTION	DOOR SIZE	DOOR TYPE	FRAME TYPE	DOOR/FRAME FINISH	HEAD DETAIL	JAMB DETAIL	FIRE RATING	REMARKS	DOOR NO.
101	PASSAGE	3'-0" x 7'-0" x 1 3/4"	D-1	EXISTG	PAINTED HM.	-	-	3 HR.		101
102	HALL	3'-0" x 7'-0" x 1 3/4"	D-1	HMF-1	PAINTED HM.	-	-			102
201	NEW NARTHEX	PR. 3'-0" x 7'-0" x 1 3/4"		ALUMINUM	-	-	-			201
202	NEW NARTHEX	PR. 2'-6" x 7'-0" x 1 3/4"		ALUMINUM	-	-	-			202
203	EXISTING FOYER	3'-0" x 7'-0" x 1 3/4"		EXISTG	PAINTED HM.	-	-	3 HR.		203
204	VESTIBULE	3'-0" x 7'-0" x 1 3/4"		EXISTG	PAINTED HM.	-	-	90 MIN.		204
205	STAIR HELL								GATE - REFER TO A6.1-04	205
301	STEEPLE BASE ACCESS	3'-0" x 2'-6" x 1 3/4"								301



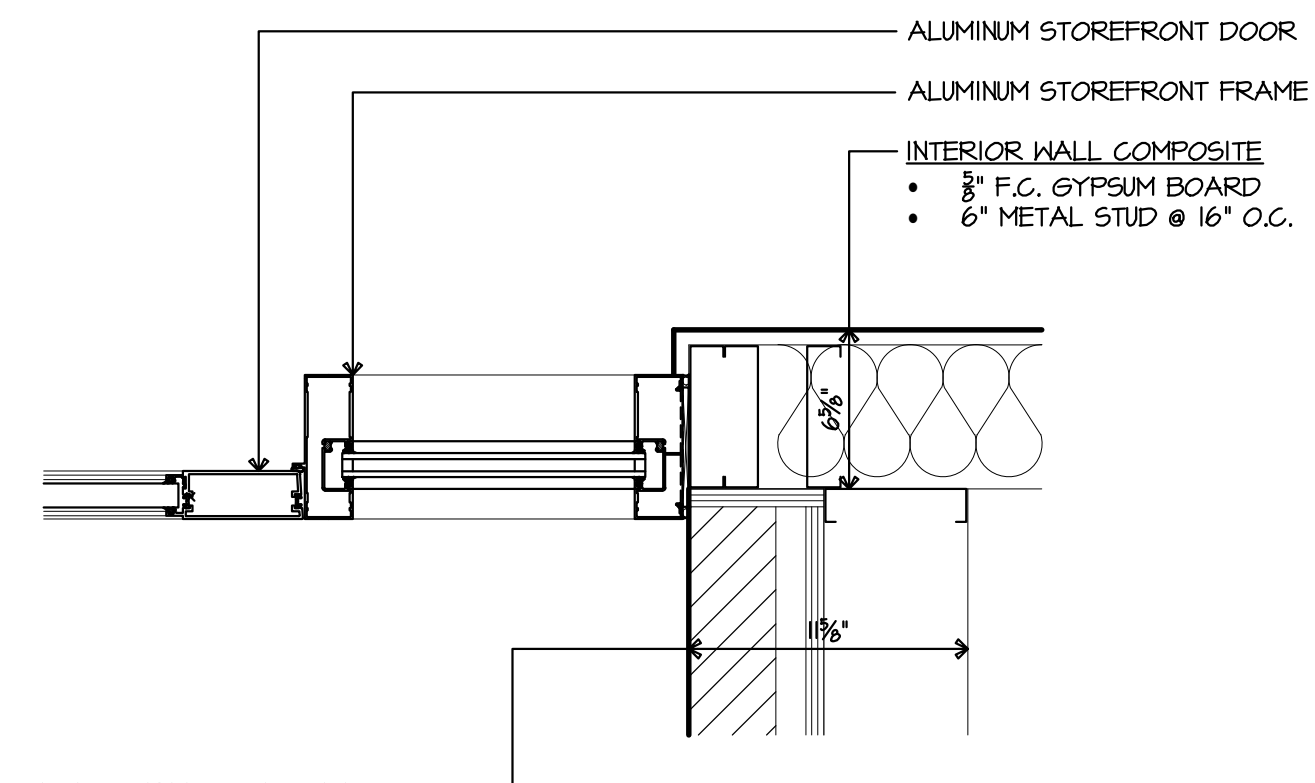
3 STOREFRONT DETAILS
A6.1 SCALE: 3" = 1'-0"



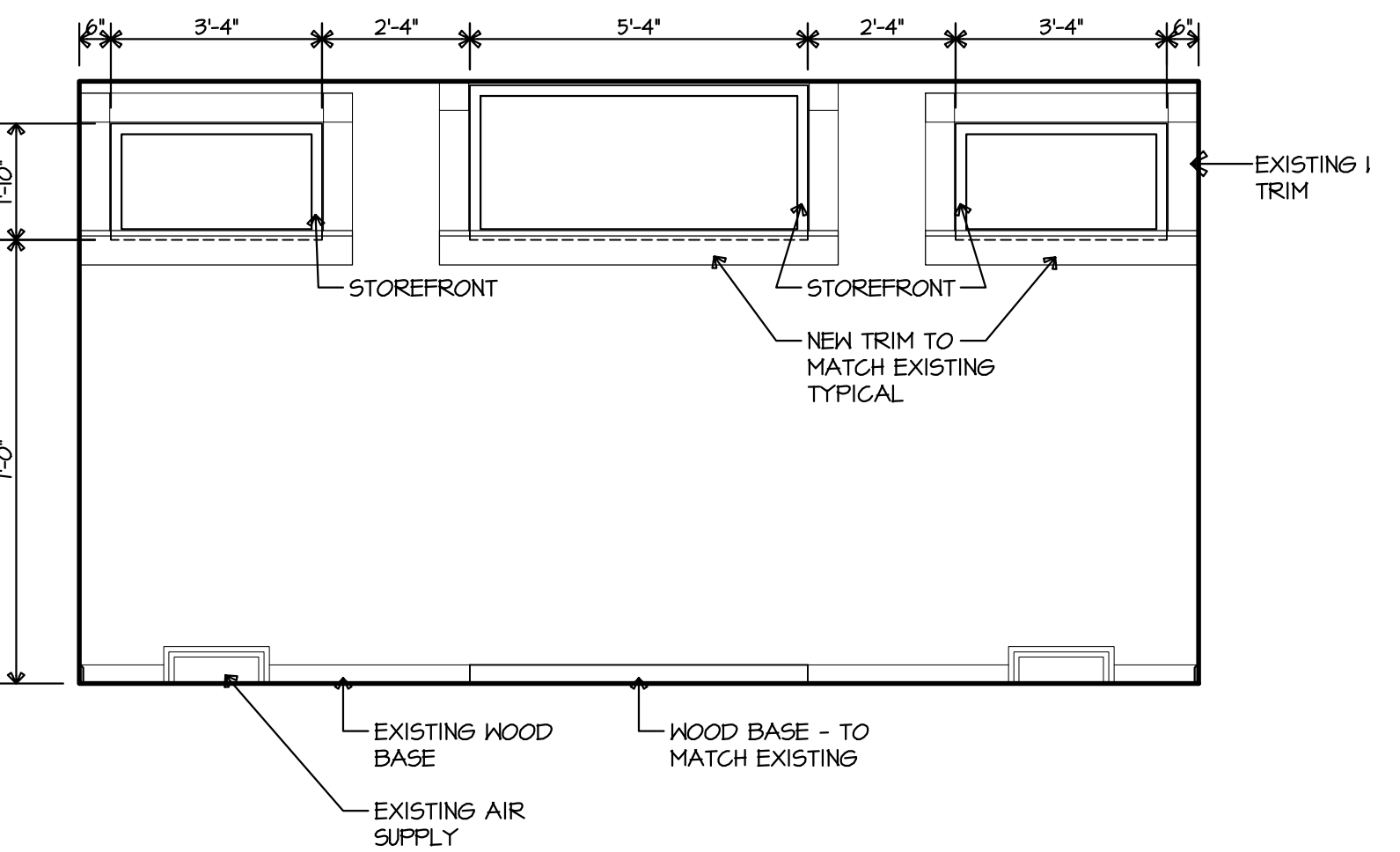
9 GATE
A6.1 SCALE: 3/4" = 1'-0"



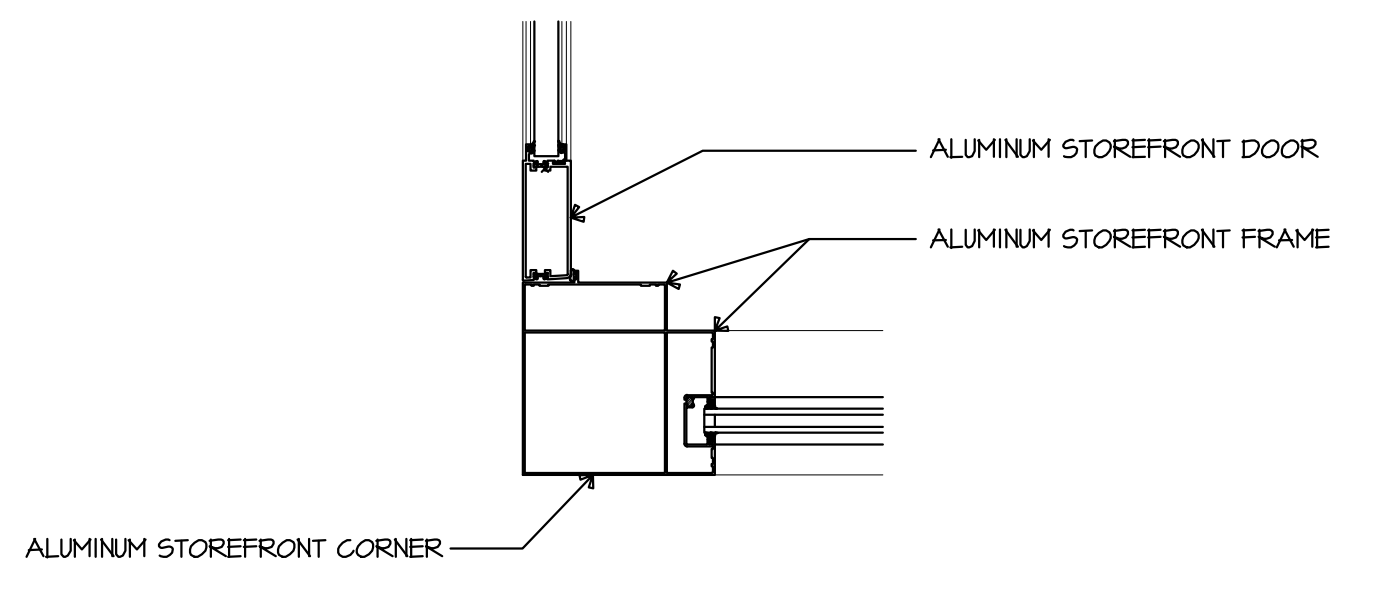
6 PLAN DETAIL
A6.1 SCALE: 1/2" = 1'-0"



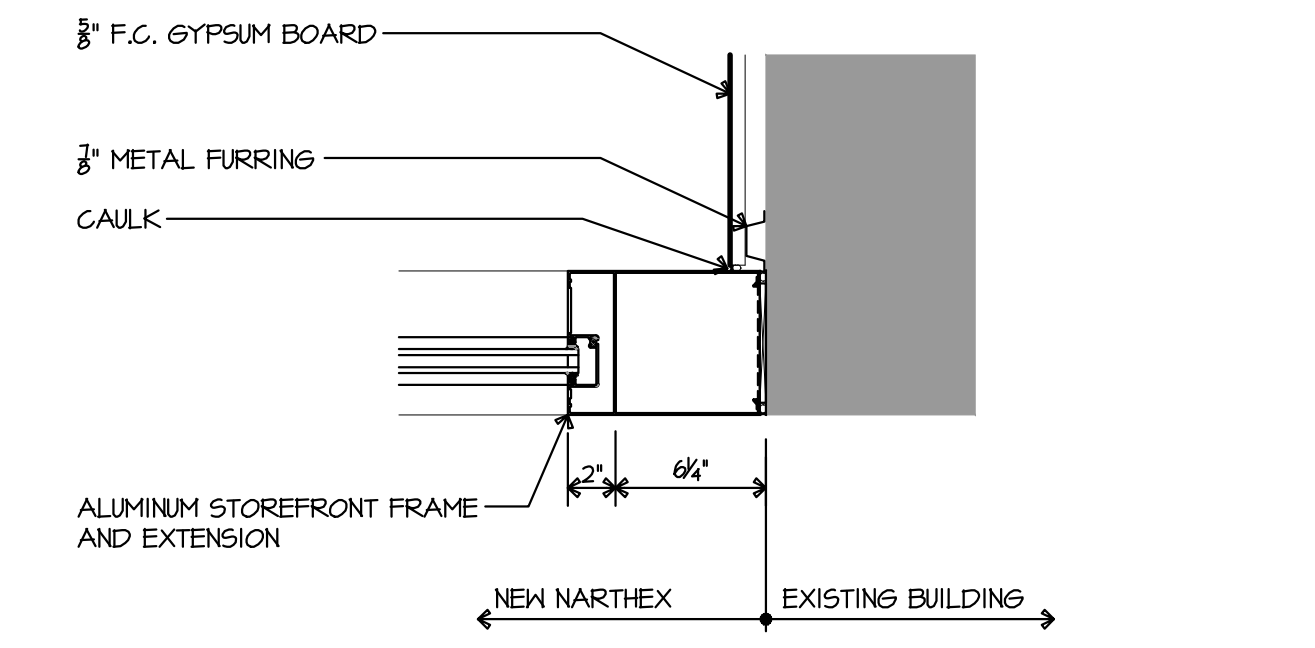
4 PLAN DETAIL
A6.1 SCALE: 1/2" = 1'-0"



10 INTERIOR ELEVATION
A6.1 SCALE: 3/8" = 1'-0"



7 PLAN DETAIL
A6.1 SCALE: 1/2" = 1'-0"

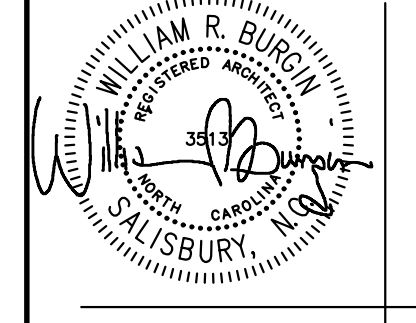


5 PLAN DETAIL
A6.1 SCALE: 1/2" = 1'-0"

**DOOR &
WINDOW
DETAILS**

MISC. DETAILS

**CLEMMONS FIRST
BAPTIST CHURCH
NARTHEX ADDITION**



CC
DRAWN BY
WRS
CHECKED BY
AUGUST 2017
DATE
S101
COUN. NO.

SHEET NO.
A6.1
OF 9