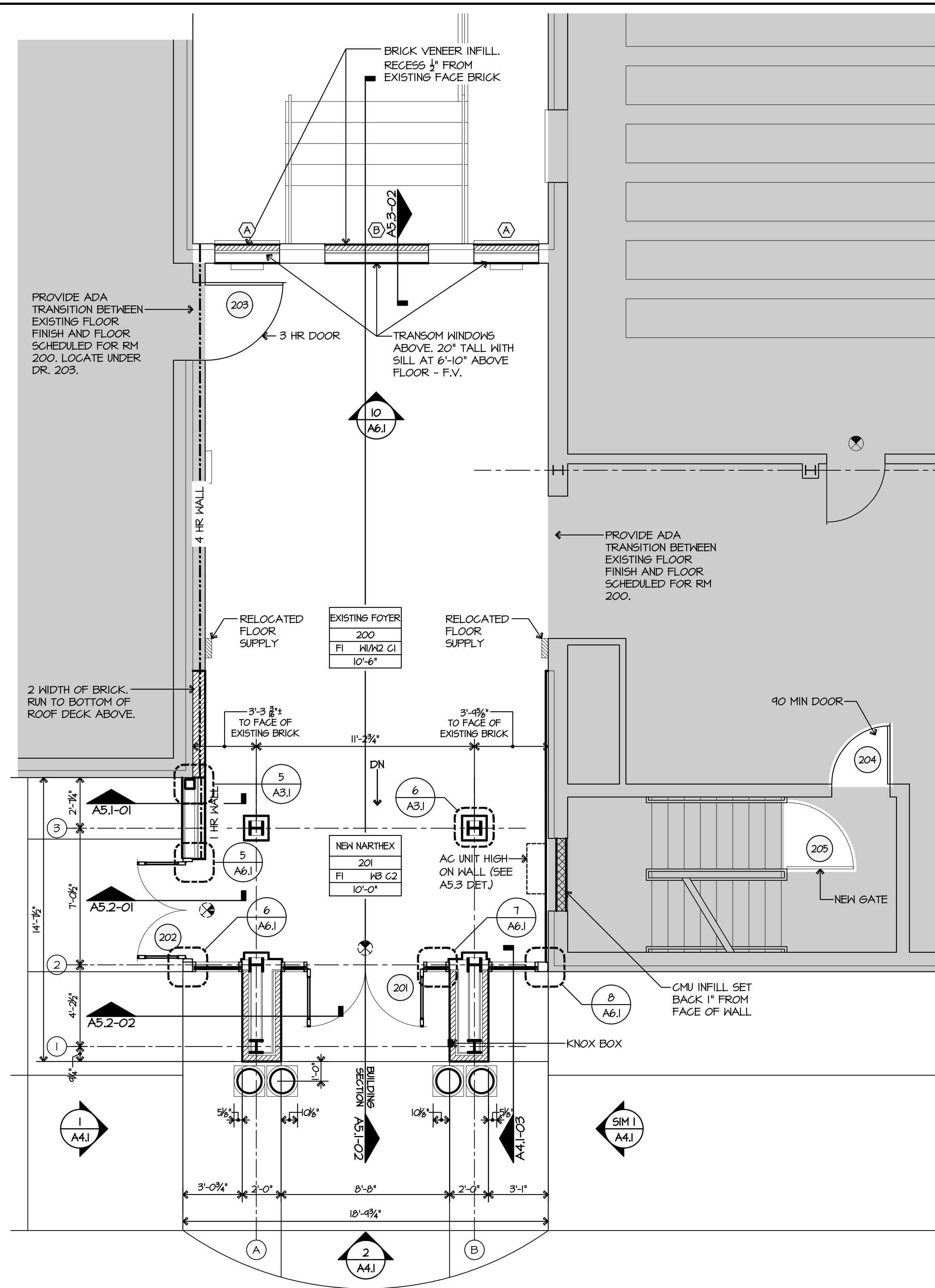
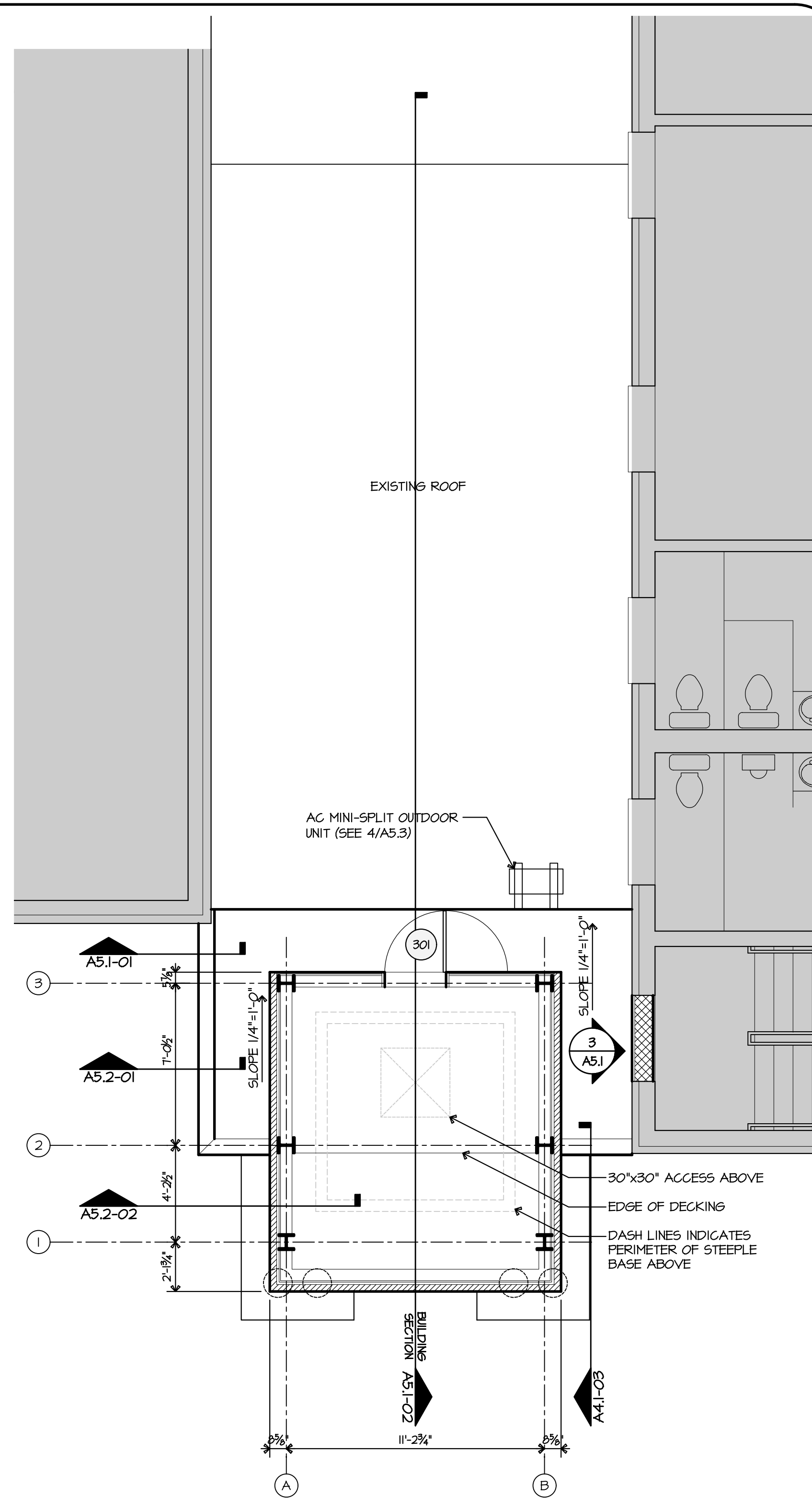


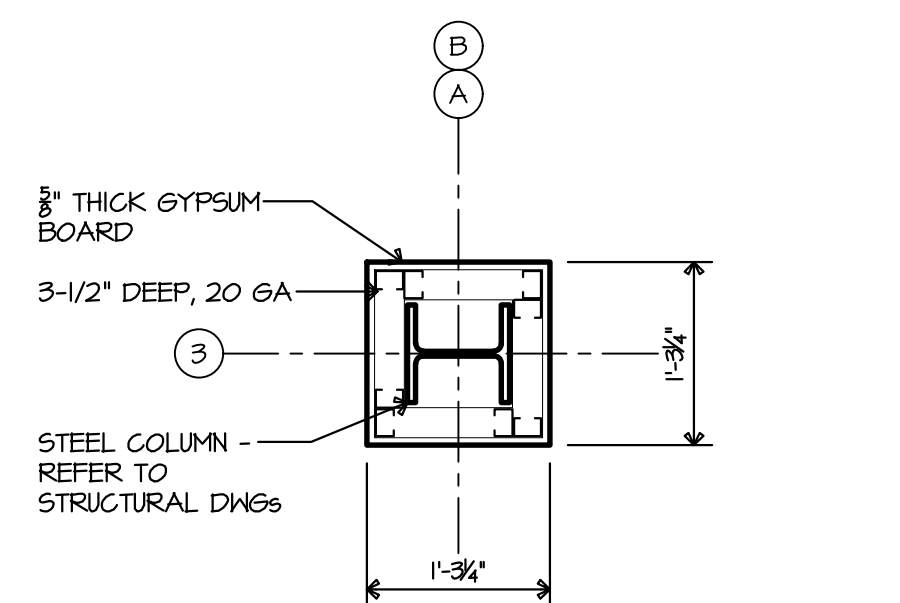
1
A3.1 **BASEMENT/FOUNDATION PLAN**
SCALE: 1/4" = 1'-0"



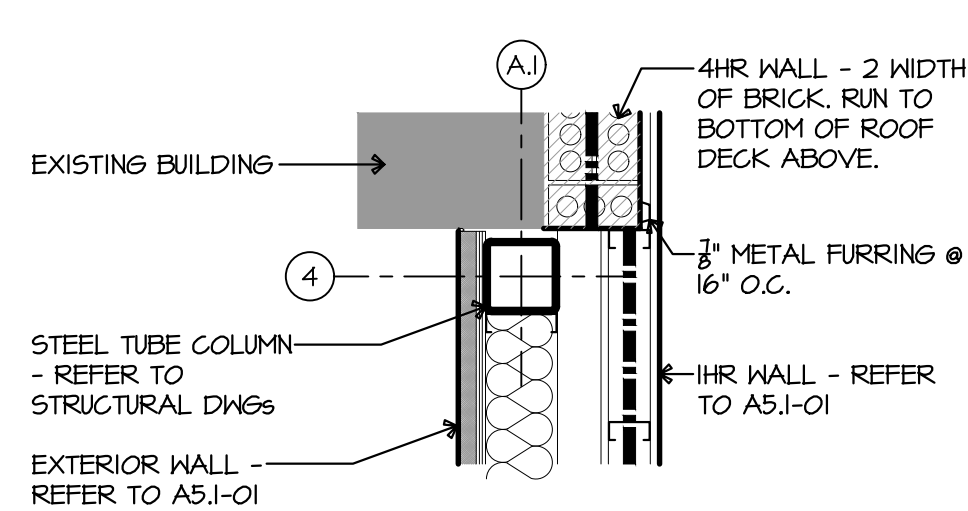
2
A3.1 **FIRST FLOOR PLAN**
SCALE: 1/4" = 1'-0"



3
A3.1 **STEEPLE BASE PLAN**
SCALE: 1/4" = 1'-0"



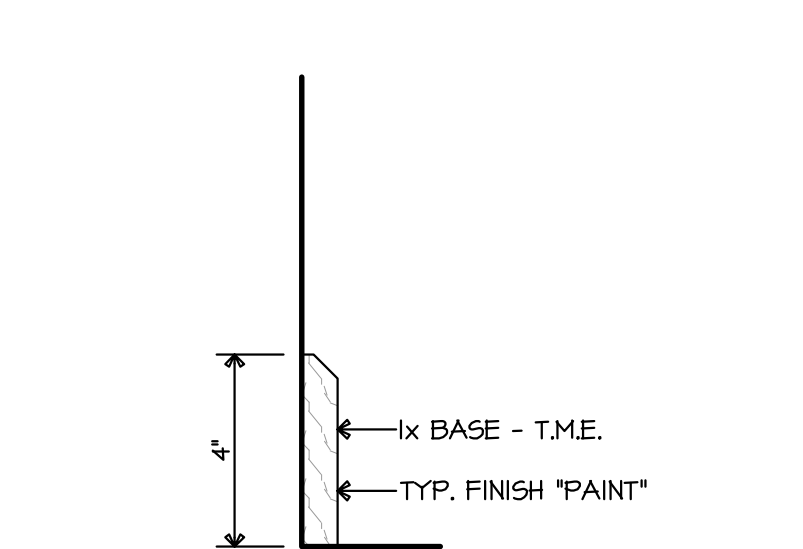
6
A3.1 **PLAN DETAIL**
SCALE: 3/4" = 1'-0"



5
A3.1 **PLAN DETAIL**
SCALE: 3/4" = 1'-0"

FLOOR / BASE FINISH	ROOM NAME	ROOM NUMBER	CEILING FINISH	CEILING HEIGHT
W1	101	F2	10'-0"	
W2	102	C1	10'-0"	
W3	103	C2	10'-0"	

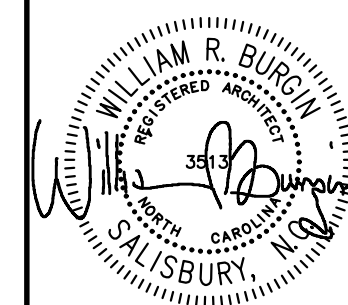
FLOOR / BASE	WALL	CEILING
F1 LUXURY VINYL TILE WOOD BASE	W1 PAINTED GYP. BD. / PLASTER	C1 SUSP. ACOUSTICAL
F2 MATCH EXISTING	W2 PAINTED GYP. BD. ON 3\"/>	
F3	W3 ALUM. STOREFRONT WITH PAINTED GYP. BD. ABOVE	



4
A3.1 **TYP. WOOD BASE**
SCALE: 3" = 1'-0"

PLANS
BASEMENT PLAN
FIRST FLOOR PLAN
SECOND FLOOR PLAN

**CLEMONS FIRST
BAPTIST CHURCH
NARTHEX ADDITION**



PLC
DRAWN BY
WRB
CHECKED BY
AUGUST 2017
DATE
S1701
COMM. NO.

SHEET NO.
A3.1
OF 9